



**QUALITY WEARS A BADGE**

**WACO Products, Inc.**

1330 Knecht Avenue  
Baltimore, Maryland 21229-5511

Phone: 410-242-1000

Fax: 410-247-4890

Email: [sales@wacoproducts.com](mailto:sales@wacoproducts.com)

Web: [wacoproducts.com](http://wacoproducts.com)

**WACO Products, Inc.** located in Baltimore, Maryland, will fulfill your equipment and fabrication needs with our Environmental, Marine, and Custom Industrial capabilities. We can build to standard drawings and specifications - or custom build to suit project specific requirements - within our 65,000 square foot manufacturing facility.

**WACO Products, Inc.** continues a tradition of many years of designing and fabricating engineered products and systems for industry and government. Born from expertise in design and construction with structural aluminum, the tradition continues with added capability for all types of high quality custom metal fabrication in carbon steel and stainless steel. We serve a broad range of clients across the globe with our expertise in design and construction of fabricated equipment. Our equipment lines meet the needs of customers requiring products exhibiting high strength, light weight, and corrosion resistance with economical construction design and top quality.

**WACO Products, Inc.**

1330 Knecht Avenue  
Baltimore, Maryland 21229-5511

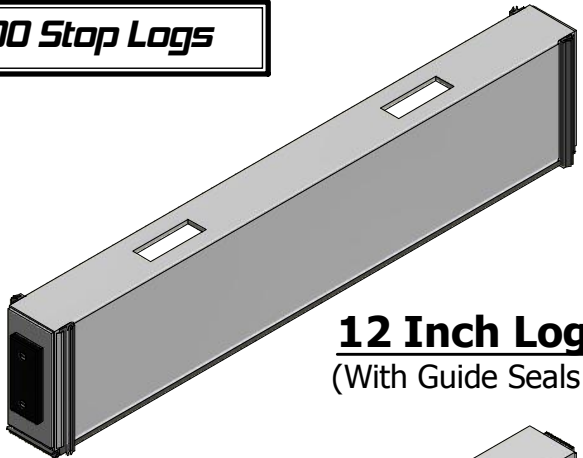
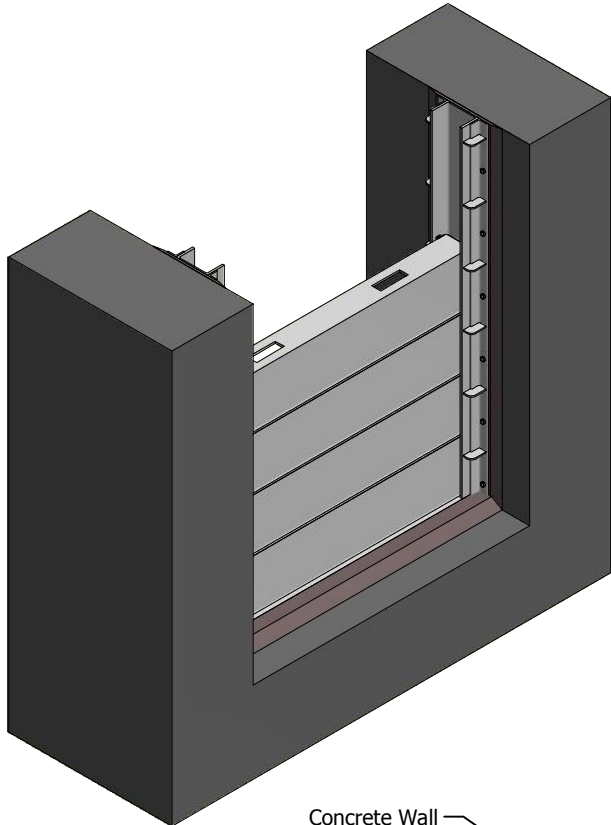
Phone: 410-242-1000

Fax: 410-247-4890

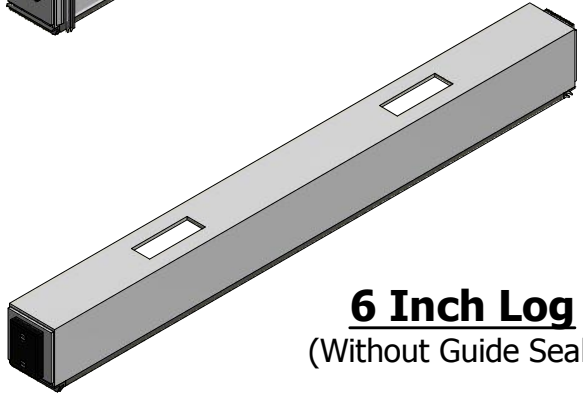
Email: [sales@wacoproducts.com](mailto:sales@wacoproducts.com)

Web: [wacoproducts.com](http://wacoproducts.com)

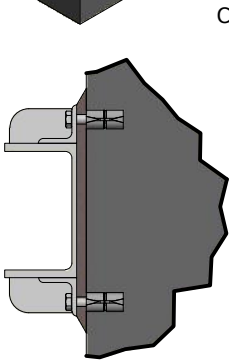
**WACO Series 1000 Stop Logs**



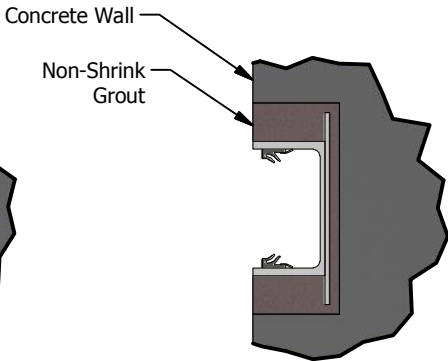
**12 Inch Log**  
(With Guide Seals)



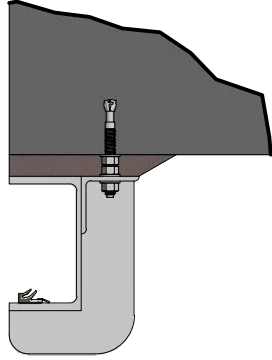
**6 Inch Log**  
(Without Guide Seals)



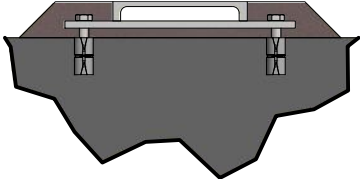
**Surface Mounted**  
Guide Frame  
(For use with log mounted guide seals)



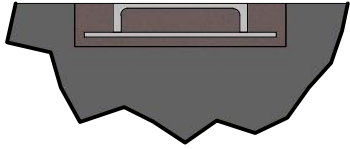
**Embedded**  
Guide Frame  
(Shown with frame mounted dual seated seals)



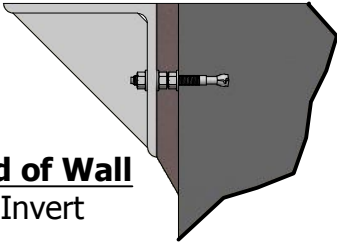
**End of Wall**  
Guide Frame  
(Shown with frame mounted single seated seal)



**Surface Mounted**  
Invert



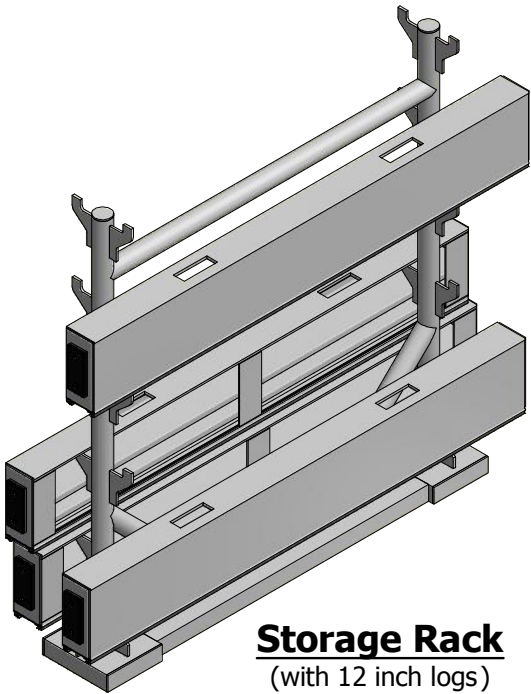
**Embedded**  
Invert



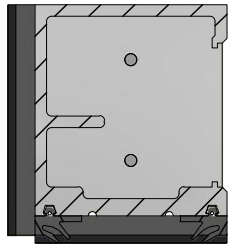
**End of Wall**  
Invert

**WACO Series 1000 Stop Logs**

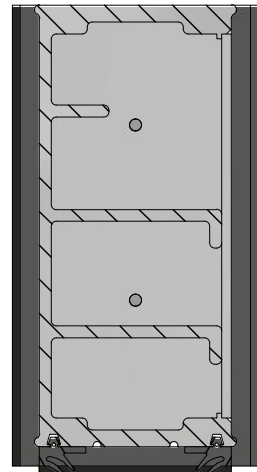
NOTE: Seal types can be arranged to suit project requirements



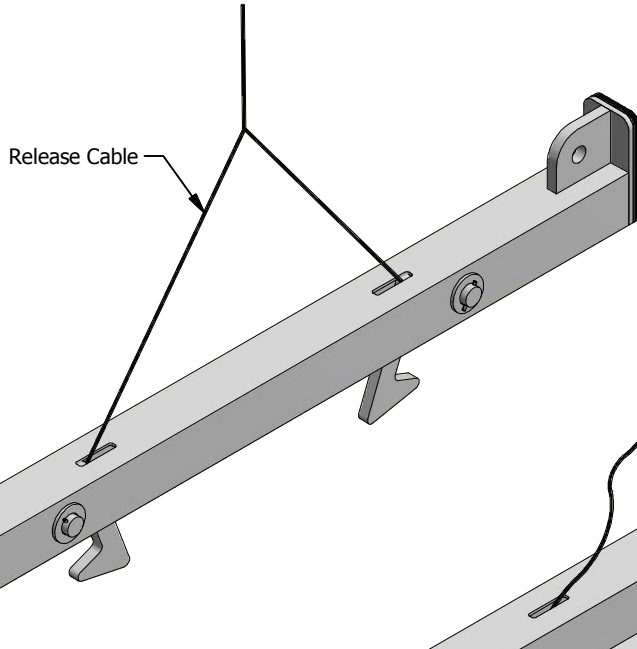
**Storage Rack**  
(with 12 inch logs)



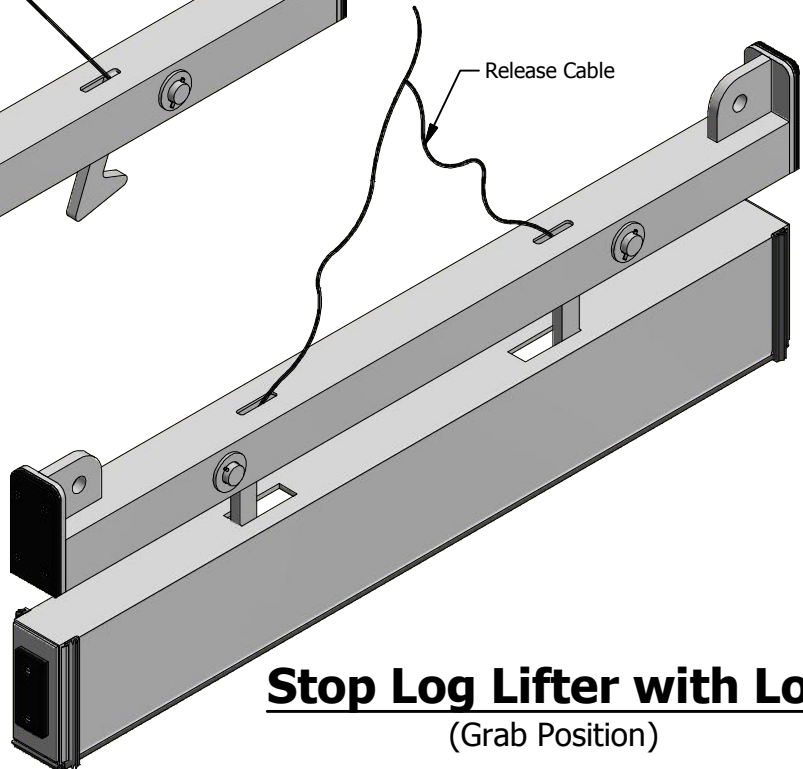
**6 In. Log - Section View**  
(With single seated seal)



**12 In. Log - Section View**  
(With dual seated seals)



**Stop Log Lifter**  
(Release Position)



**Stop Log Lifter with Log**  
(Grab Position)