



**QUALITY WEARS A BADGE**

**WACO Products, Inc.**

1330 Knecht Avenue  
Baltimore, Maryland 21229-5511

Phone: 410-242-1000

Fax: 410-247-4890

Email: [sales@wacoproducts.com](mailto:sales@wacoproducts.com)

Web: [wacoproducts.com](http://wacoproducts.com)

**WACO Products, Inc.** located in Baltimore, Maryland, will fulfill your equipment and fabrication needs with our Environmental, Marine, and Custom Industrial capabilities. We can build to standard drawings and specifications - or custom build to suit project specific requirements - within our 65,000 square foot manufacturing facility.

**WACO Products, Inc.** continues a tradition of many years of designing and fabricating engineered products and systems for industry and government. Born from expertise in design and construction with structural aluminum, the tradition continues with added capability for all types of high quality custom metal fabrication in carbon steel and stainless steel. We serve a broad range of clients across the globe with our expertise in design and construction of fabricated equipment. Our equipment lines meet the needs of customers requiring products exhibiting high strength, light weight, and corrosion resistance with economical construction design and top quality.

**WACO Products, Inc.**

1330 Knecht Avenue  
Baltimore, Maryland 21229-5511

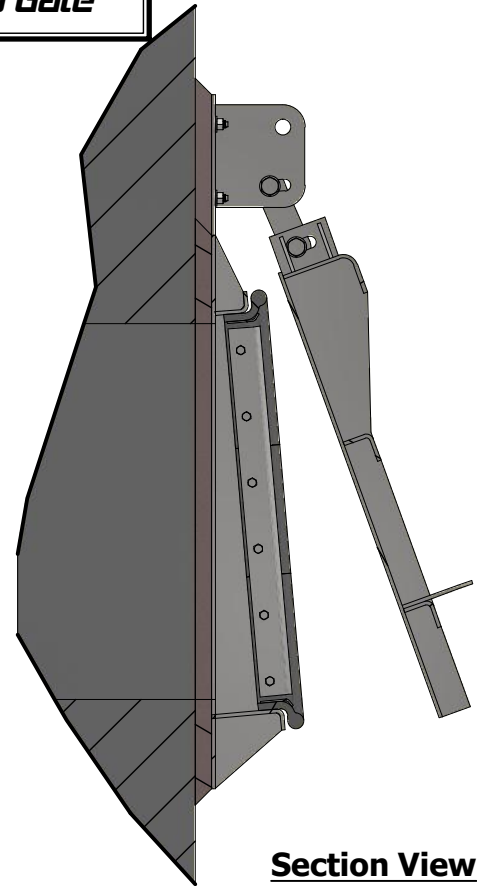
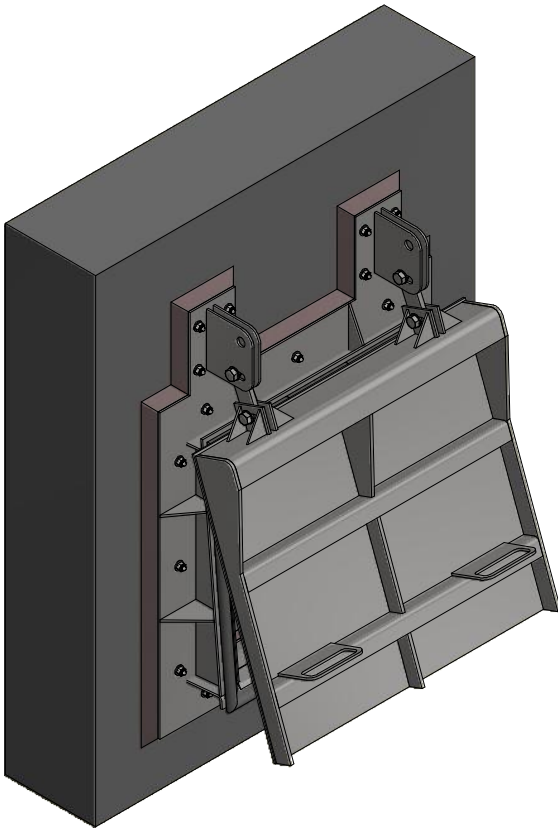
Phone: 410-242-1000

Fax: 410-247-4890

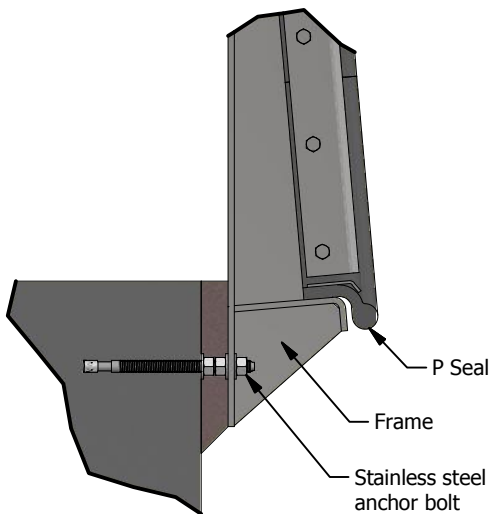
Email: [sales@wacoproducts.com](mailto:sales@wacoproducts.com)

Web: [wacoproducts.com](http://wacoproducts.com)

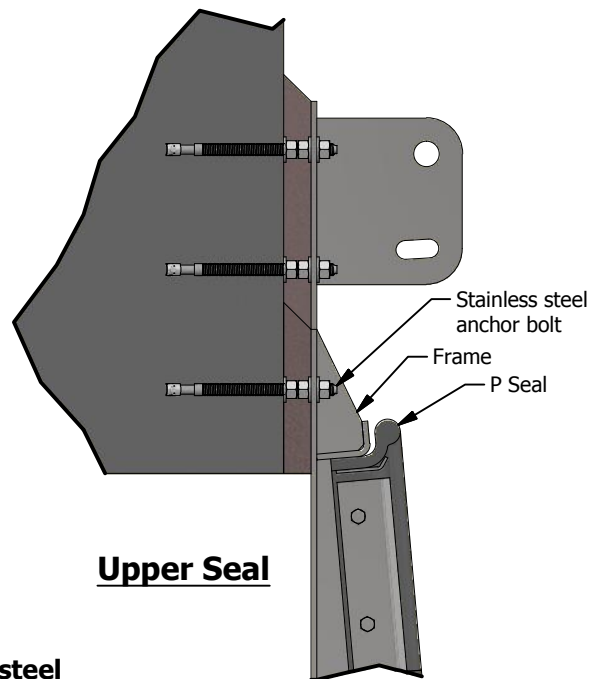
## WACO Series 3000 Flap Gate



**Section View**



**Invert Seal**



**Upper Seal**

**NOTE: Flap gate frames can be aluminum or stainless steel and flaps can be aluminum, stainless steel, or rubber. Also available in square, rectangular, and round opening configurations. Frame can be gasket back and mounted directly to wall or pipe flange.**