



QUALITY WEARS A BADGE

WACO Products, Inc.

1330 Knecht Avenue
Baltimore, Maryland 21229-5511

Phone: 410-242-1000

Fax: 410-247-4890

Email: sales@wacoproducts.com

Web: wacoproducts.com

WACO Products, Inc. located in Baltimore, Maryland, will fulfill your equipment and fabrication needs with our Environmental, Marine, and Custom Industrial capabilities. We can build to standard drawings and specifications - or custom build to suit project specific requirements - within our 65,000 square foot manufacturing facility.

WACO Products, Inc. continues a tradition of many years of designing and fabricating engineered products and systems for industry and government. Born from expertise in design and construction with structural aluminum, the tradition continues with added capability for all types of high quality custom metal fabrication in carbon steel and stainless steel. We serve a broad range of clients across the globe with our expertise in design and construction of fabricated equipment. Our equipment lines meet the needs of customers requiring products exhibiting high strength, light weight, and corrosion resistance with economical construction design and top quality.

WACO Products, Inc.

1330 Knecht Avenue
Baltimore, Maryland 21229-5511

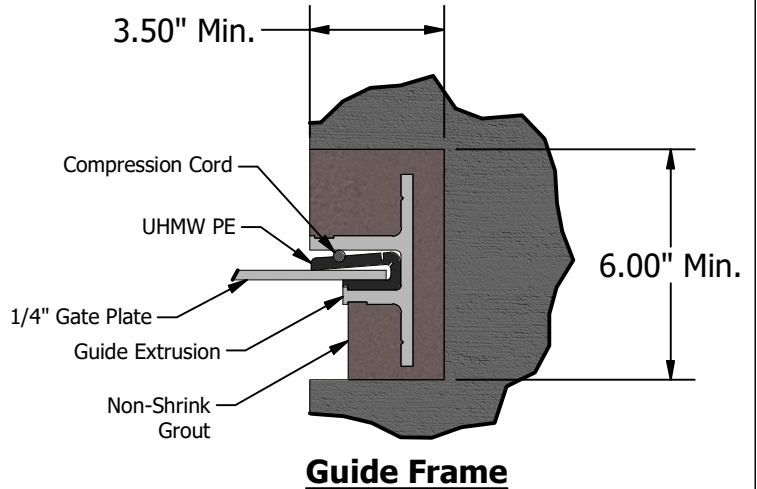
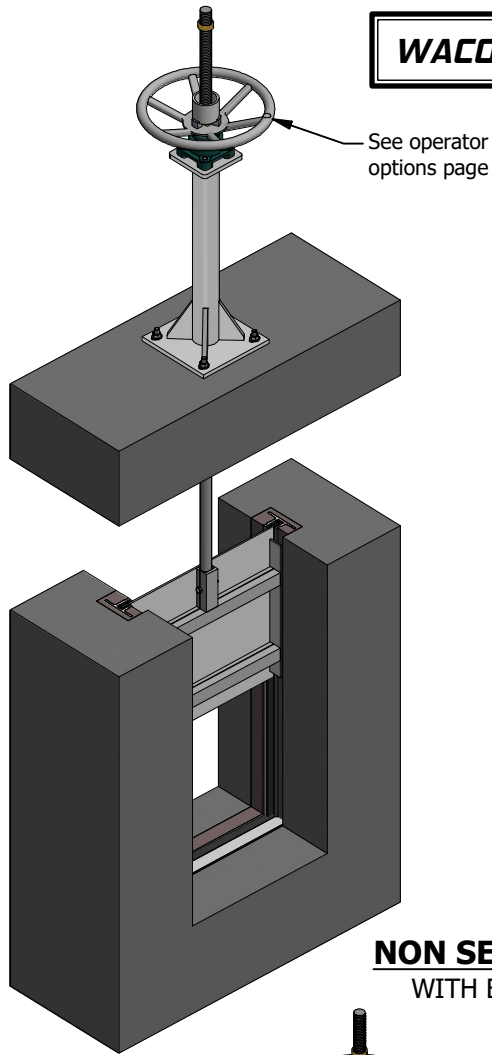
Phone: 410-242-1000

Fax: 410-247-4890

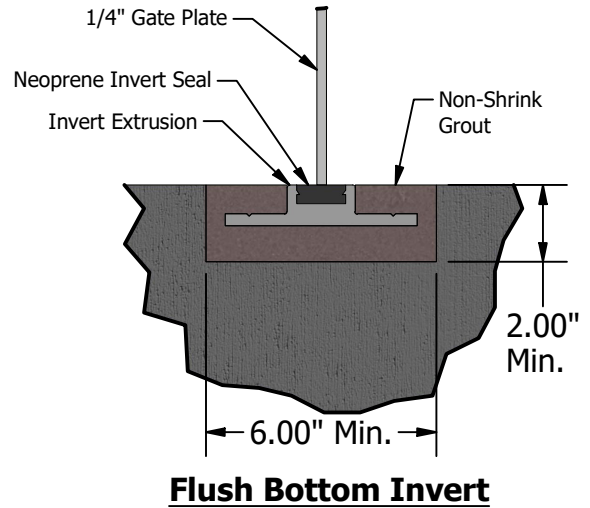
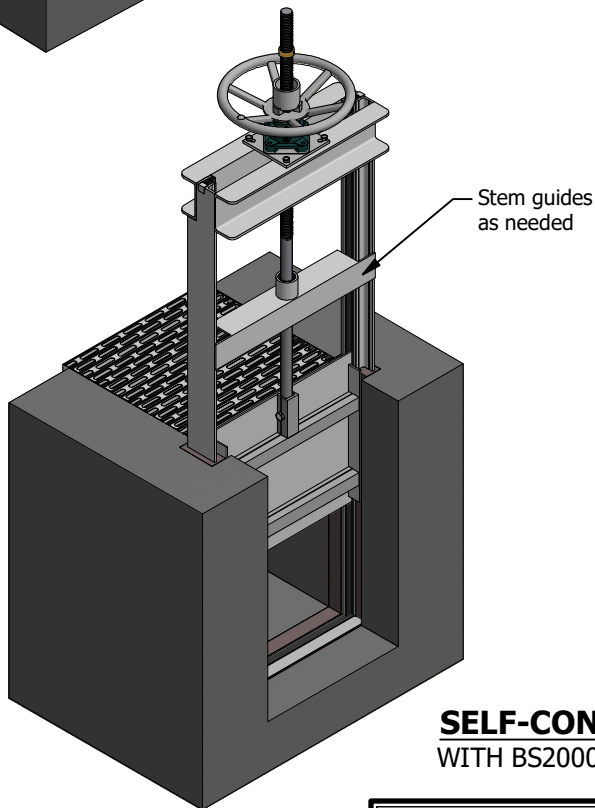
Email: sales@wacoproducts.com

Web: wacoproducts.com

WACO Series 6624 Slide Gates

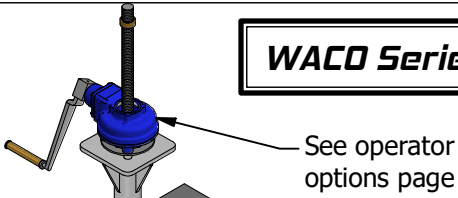


NON SELF-CONTAINED GATE
WITH BS1015 AND HANDWHEEL

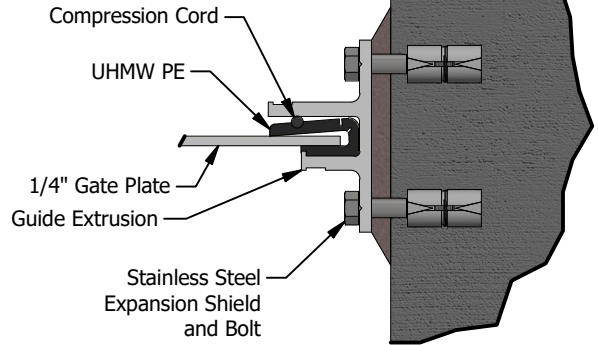
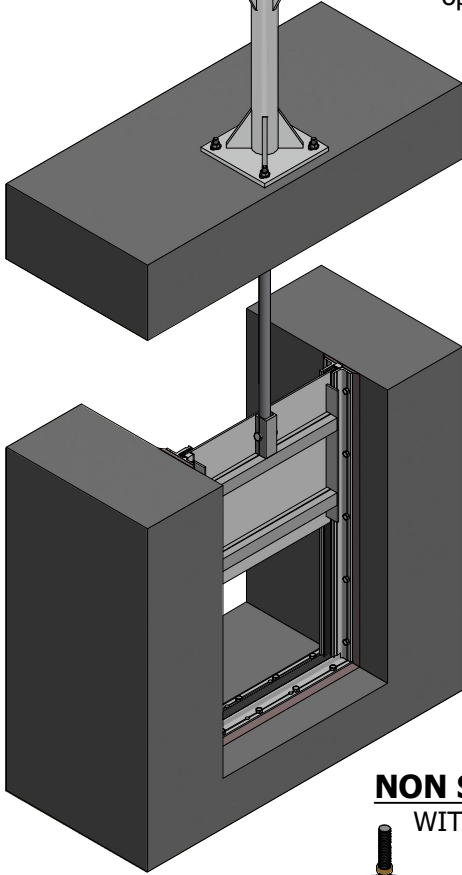


SELF-CONTAINED GATE
WITH BS2000 AND HANDWHEEL

WACO Series 6634 Slide Gates

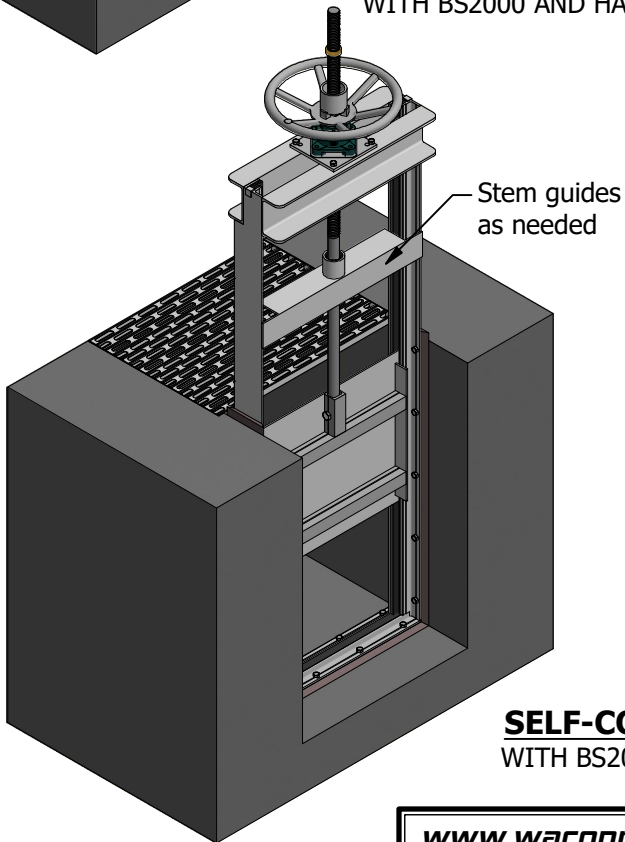


See operator options page

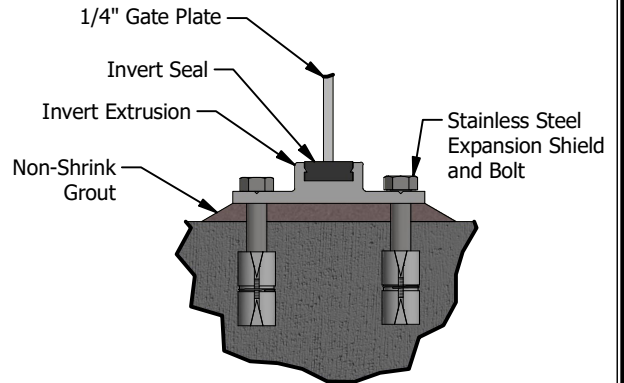


Guide Frame

NON SELF-CONTAINED GATE
WITH BS2000 AND HANDCRANK



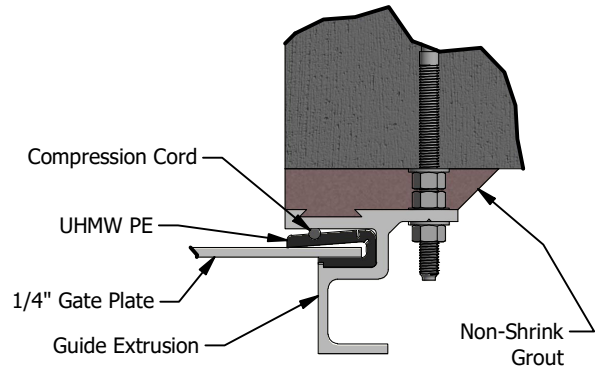
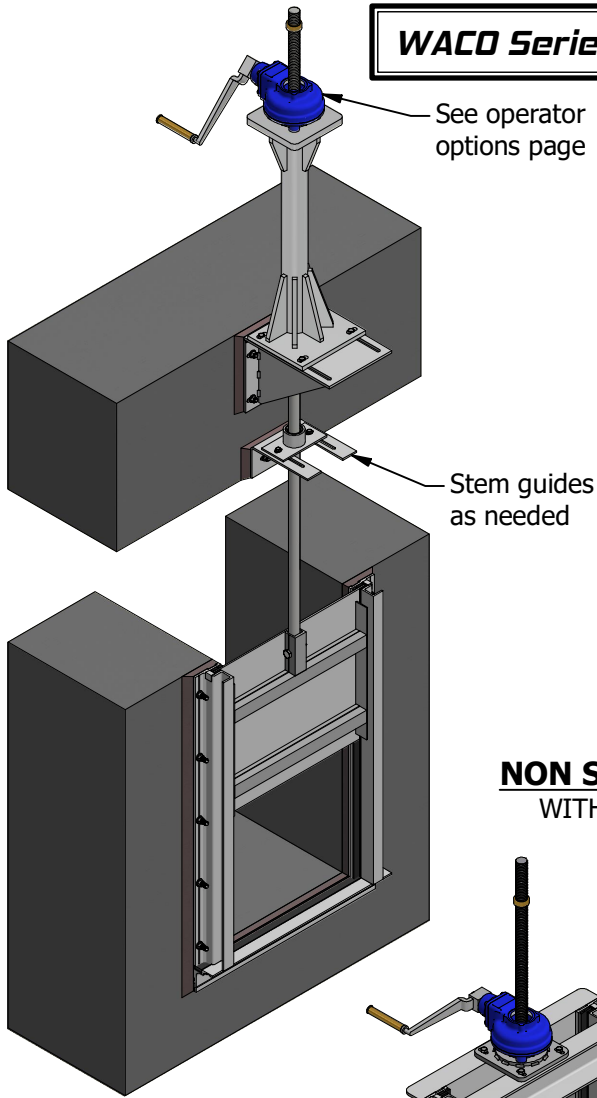
Stem guides as needed



Invert

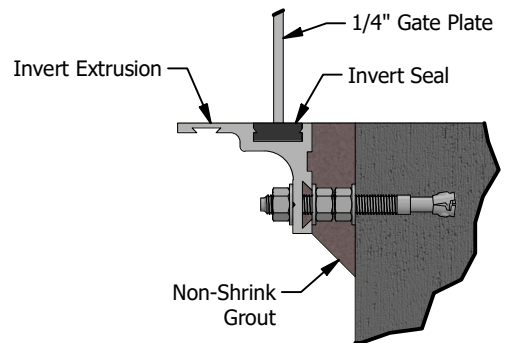
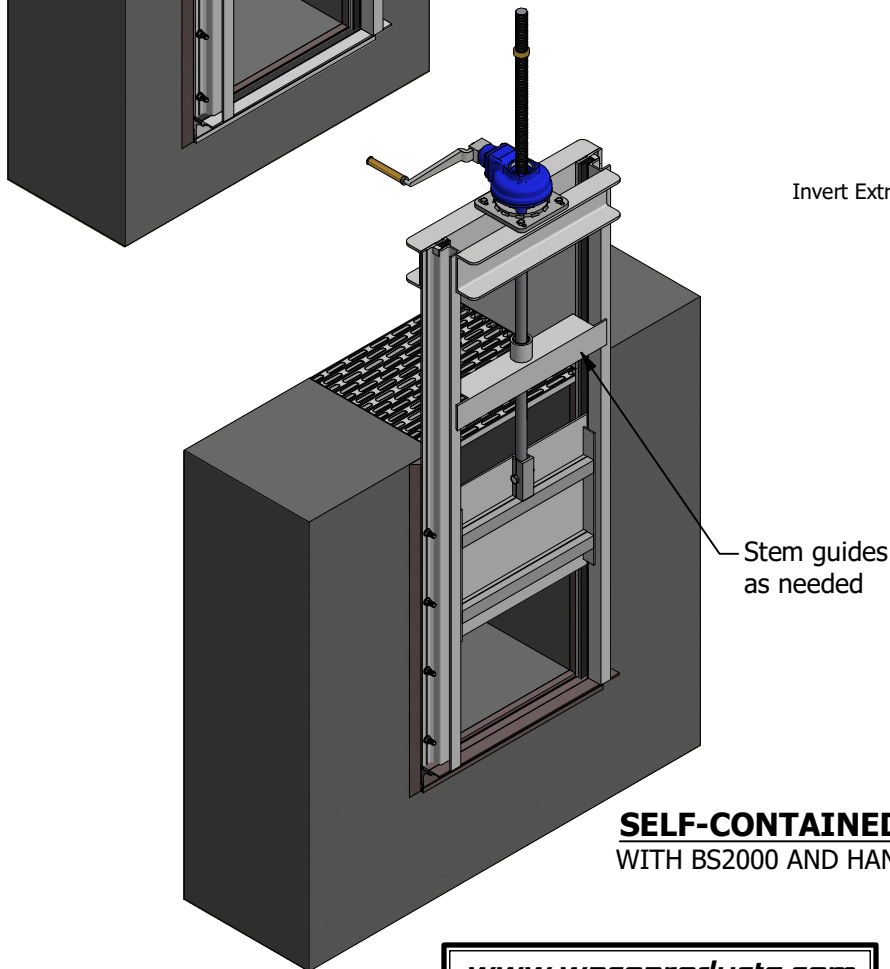
SELF-CONTAINED GATE
WITH BS2000 AND HANDWHEEL

WACO Series 6644 Slide Gates



Guide Frame

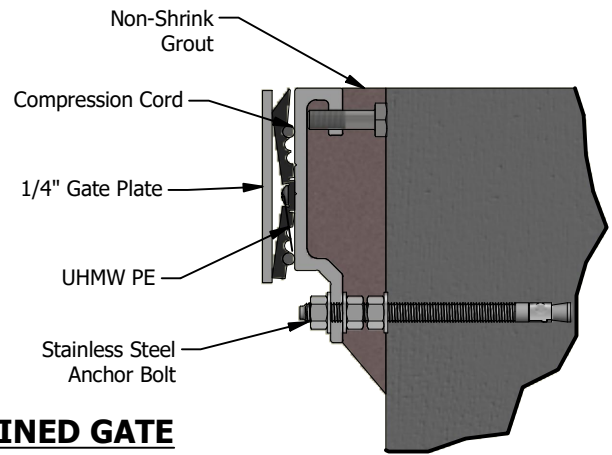
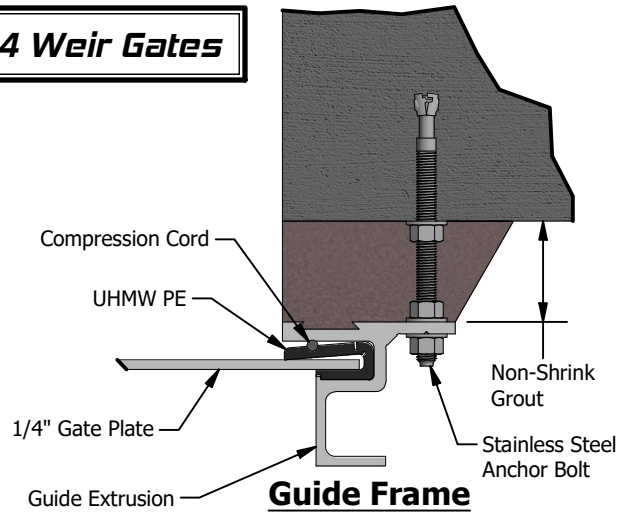
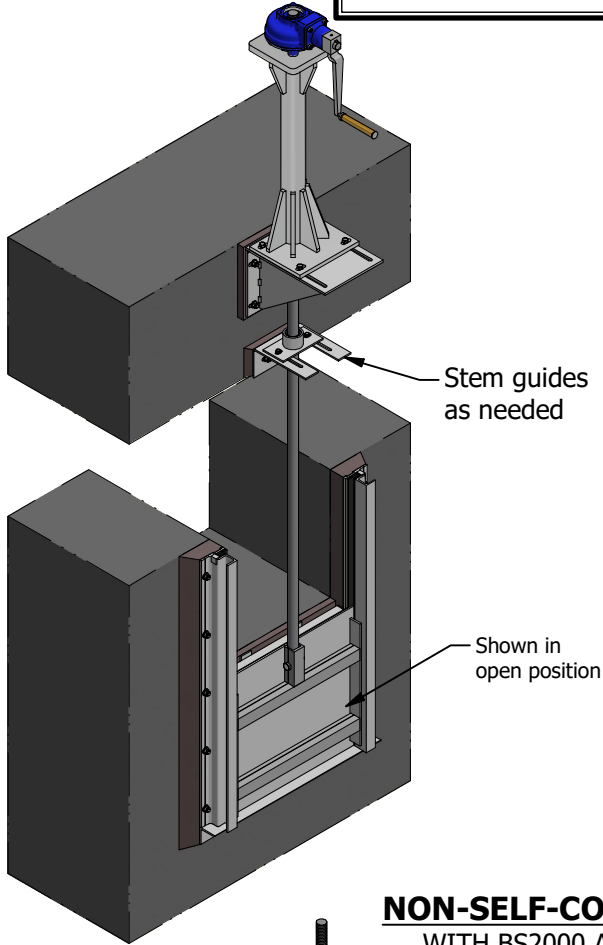
NON SELF-CONTAINED GATE WITH BS2000 AND HANDCRANK



Flush Bottom Invert

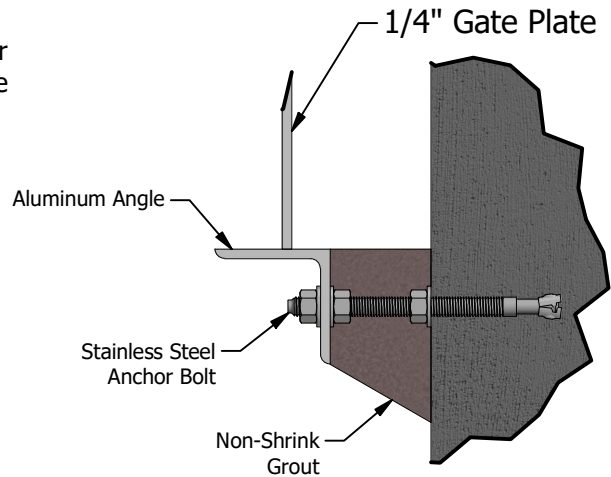
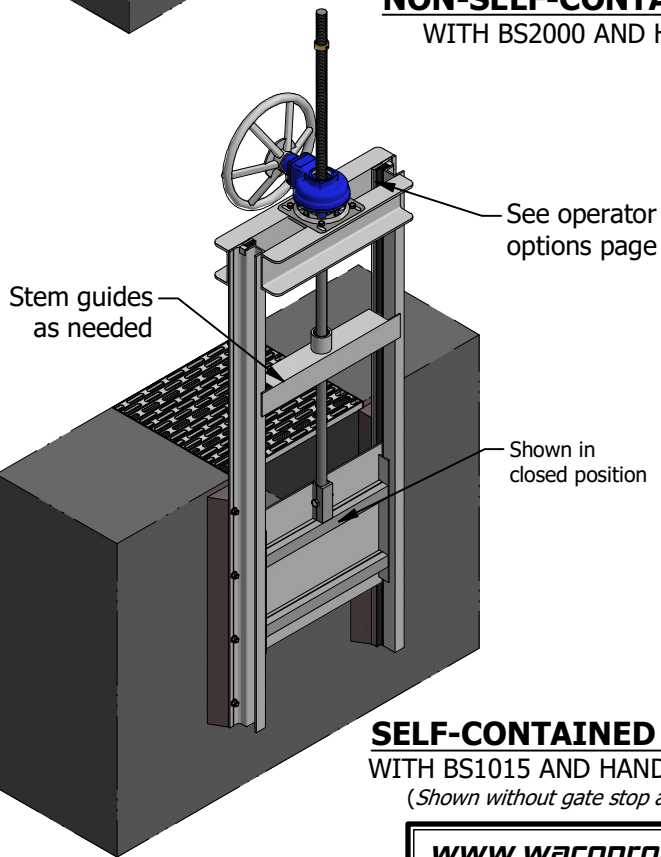
SELF-CONTAINED GATE WITH BS2000 AND HANDWHEEL

WACO Series 6664 Weir Gates



**NON-SELF-CONTAINED GATE
WITH BS2000 AND HANDWHEEL**

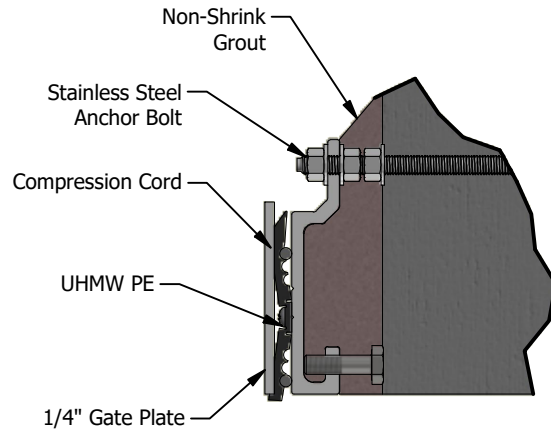
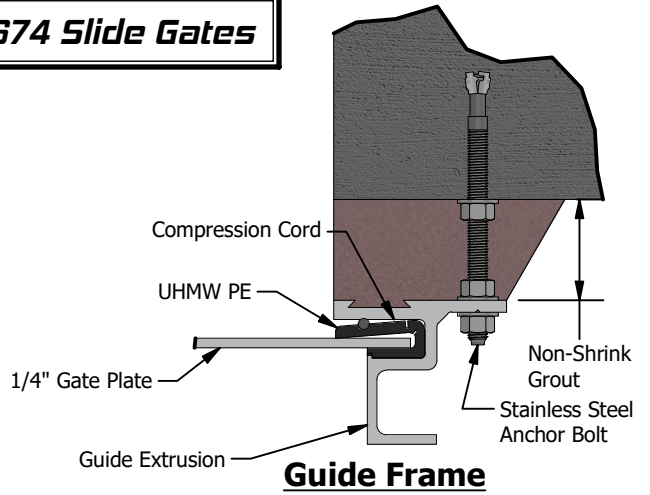
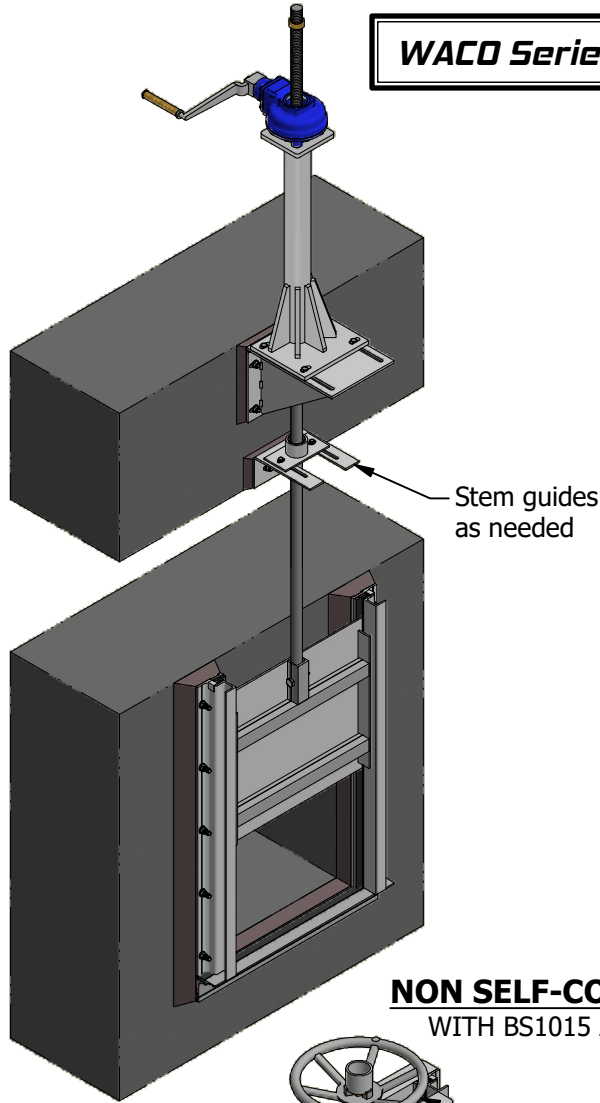
Invert Seal



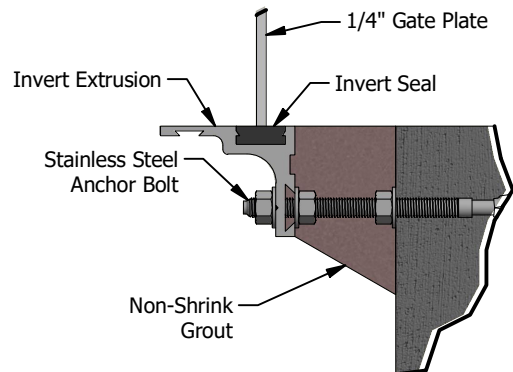
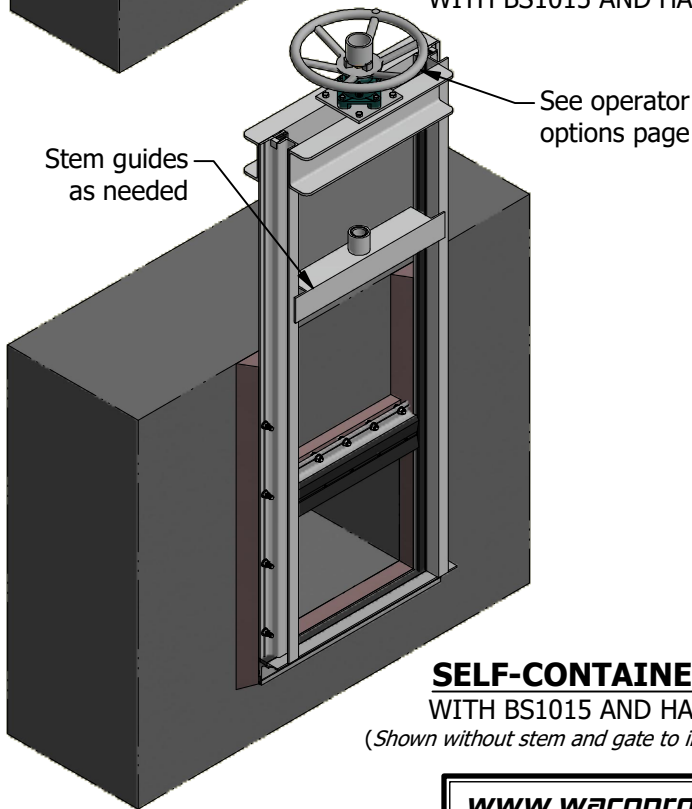
**SELF-CONTAINED GATE
WITH BS1015 AND HANDWHEEL
(Shown without gate stop angle)**

Gate Stop Angle (optional)

WACO Series 6674 Slide Gates



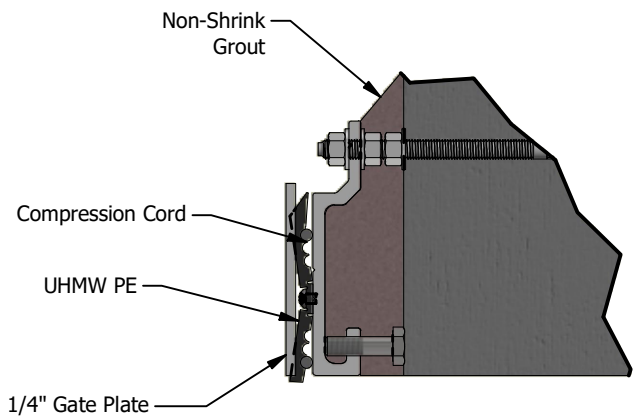
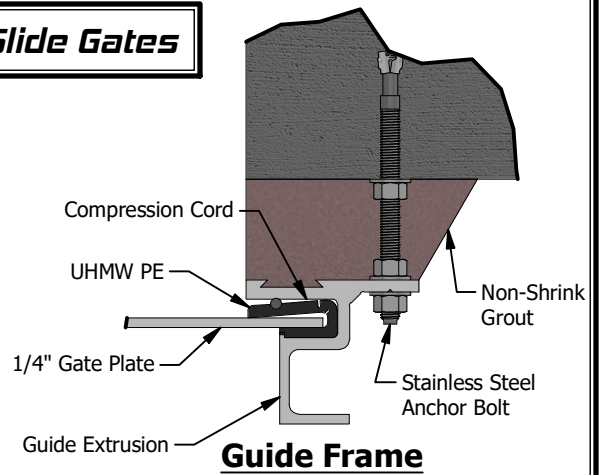
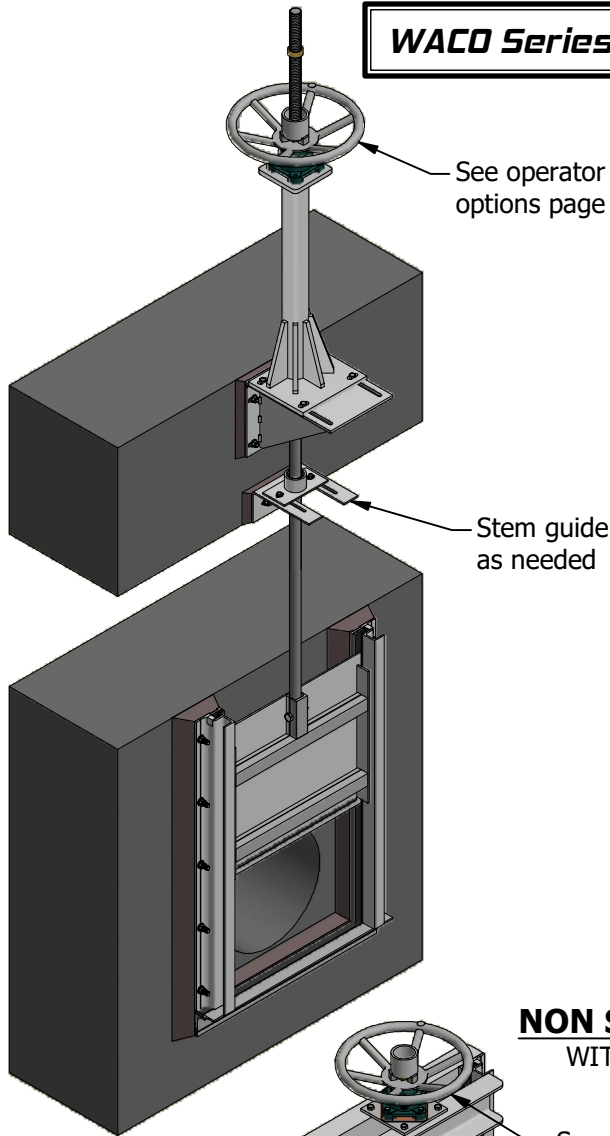
NON SELF-CONTAINED GATE WITH BS1015 AND HANDWHEEL



SELF-CONTAINED GATE WITH BS1015 AND HANDWHEEL

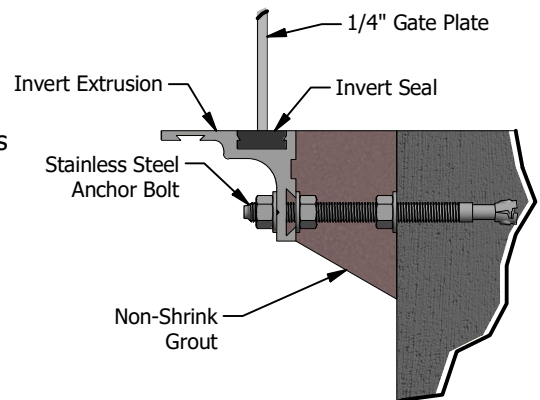
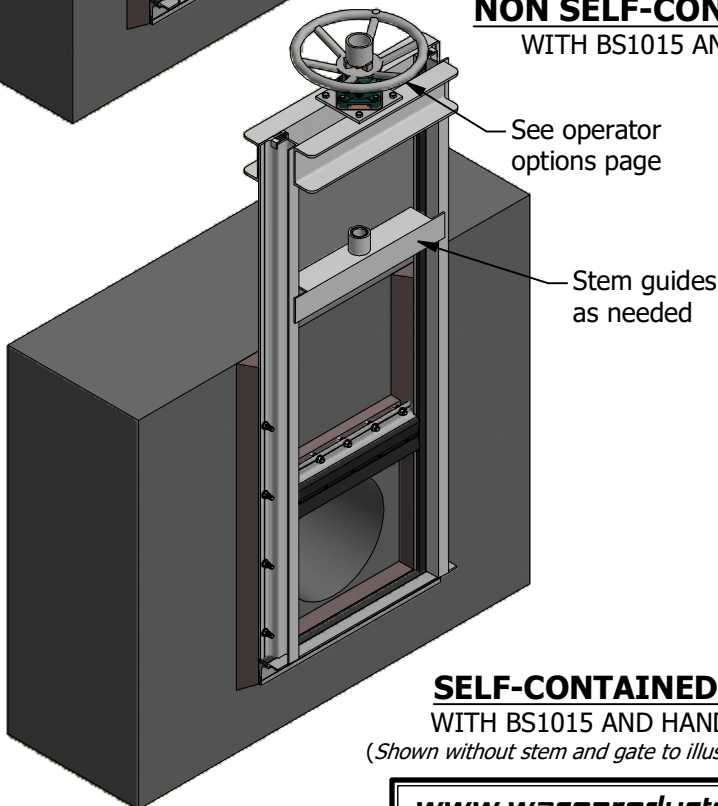
(Shown without stem and gate to illustrate upper seal)

WACO Series 6684 Slide Gates



Upper Seal

NON SELF-CONTAINED GATE WITH BS1015 AND HANDWHEEL



Flush Bottom Invert

SELF-CONTAINED GATE WITH BS1015 AND HANDWHEEL

(Shown without stem and gate to illustrate upper seal)