



**QUALITY WEARS A BADGE**

**WACO Products, Inc.**

1330 Knecht Avenue  
Baltimore, Maryland 21229-5511

Phone: 410-242-1000

Fax: 410-247-4890

Email: [sales@wacoproducts.com](mailto:sales@wacoproducts.com)

Web: [wacoproducts.com](http://wacoproducts.com)

**WACO Products, Inc.** located in Baltimore, Maryland, will fulfill your equipment and fabrication needs with our Environmental, Marine, and Custom Industrial capabilities. We can build to standard drawings and specifications - or custom build to suit project specific requirements - within our 65,000 square foot manufacturing facility.

**WACO Products, Inc.** continues a tradition of many years of designing and fabricating engineered products and systems for industry and government. Born from expertise in design and construction with structural aluminum, the tradition continues with added capability for all types of high quality custom metal fabrication in carbon steel and stainless steel. We serve a broad range of clients across the globe with our expertise in design and construction of fabricated equipment. Our equipment lines meet the needs of customers requiring products exhibiting high strength, light weight, and corrosion resistance with economical construction design and top quality.

**WACO Products, Inc.**

1330 Knecht Avenue  
Baltimore, Maryland 21229-5511

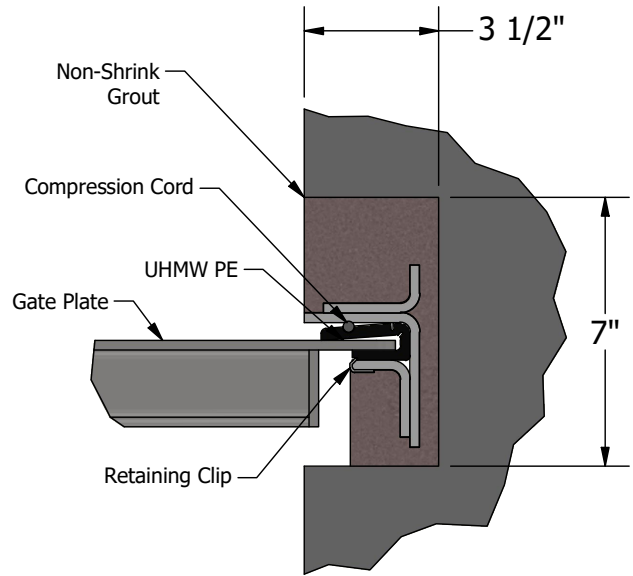
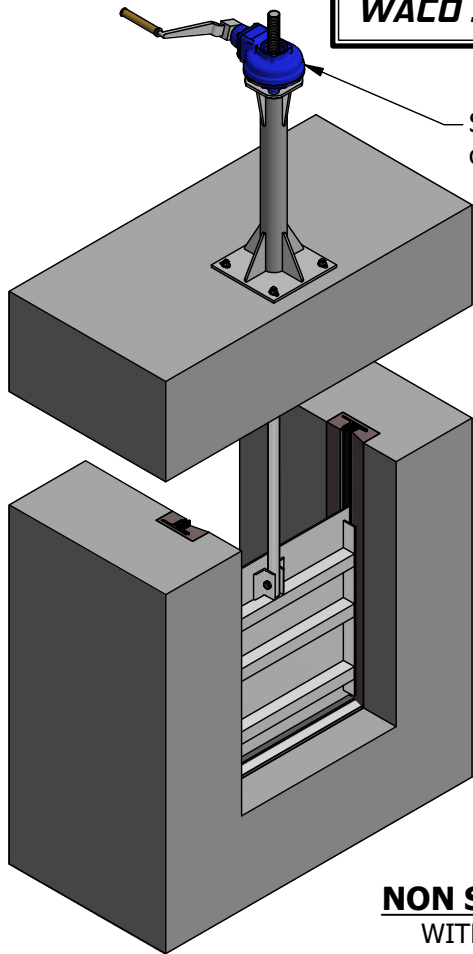
Phone: 410-242-1000

Fax: 410-247-4890

Email: [sales@wacoproducts.com](mailto:sales@wacoproducts.com)

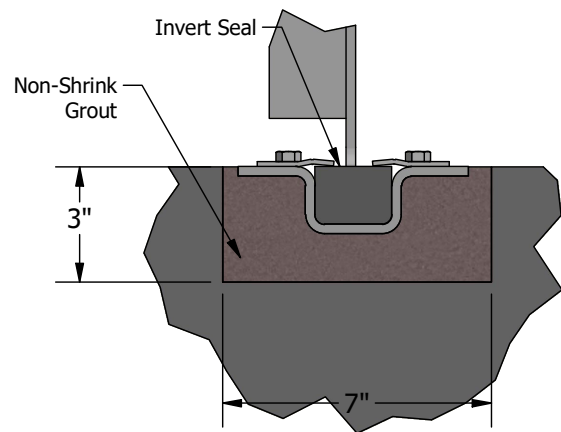
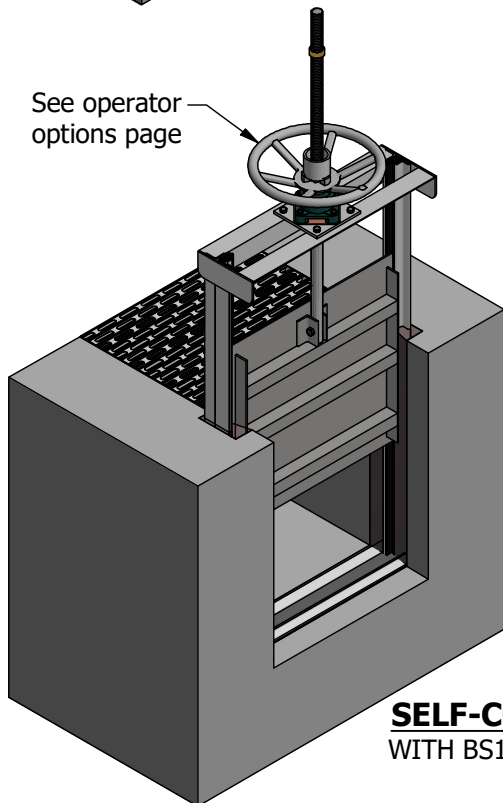
Web: [wacoproducts.com](http://wacoproducts.com)

**WACO Series 7624/6 Slide Gates**



**Guide Frame**

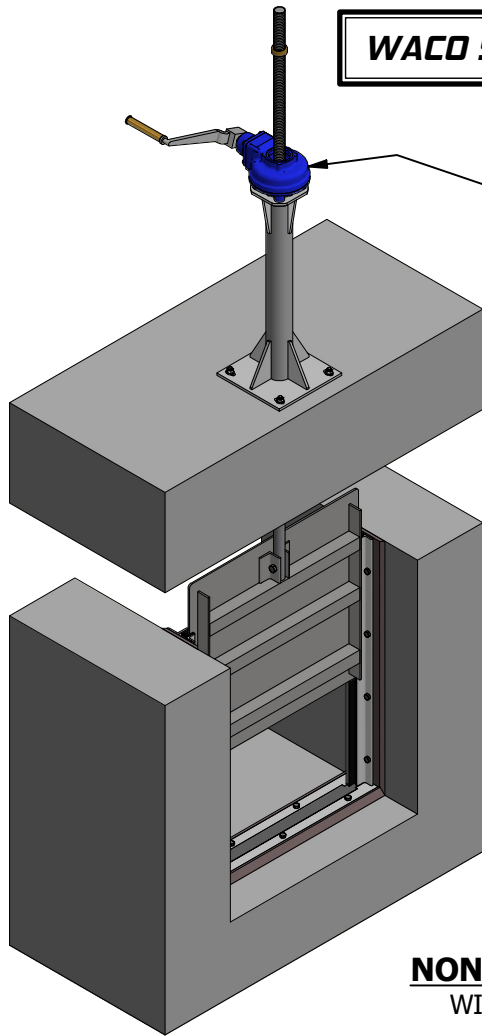
**NON SELF-CONTAINED GATE**  
WITH BS2000 AND HANDCRANK



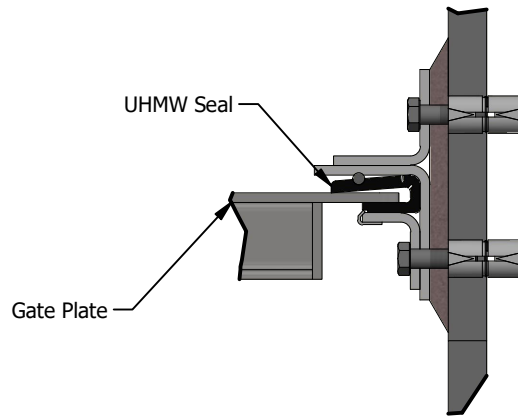
**Invert Frame**

**SELF-CONTAINED GATE**  
WITH BS1015 AND HANDWHEEL

**WACO Series 7634/6 Slide Gates**



See operator options page

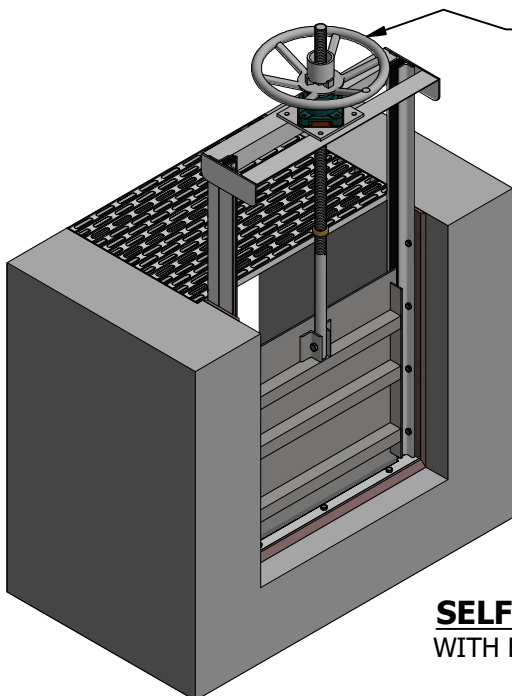


UHMW Seal

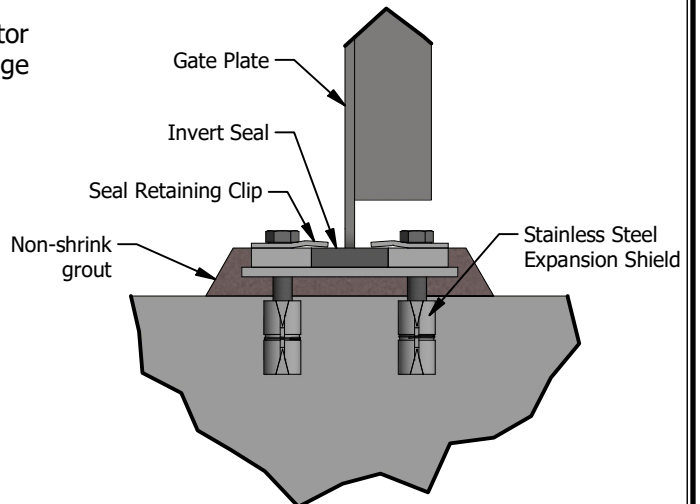
Gate Plate

**Guide Frame**

**NON SELF-CONTAINED GATE**  
WITH BS2000 AND HANDCRANK



See operator options page



Gate Plate

Invert Seal

Seal Retaining Clip

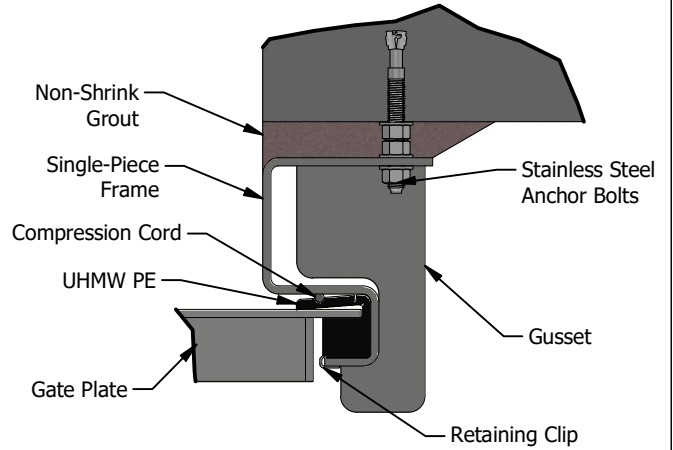
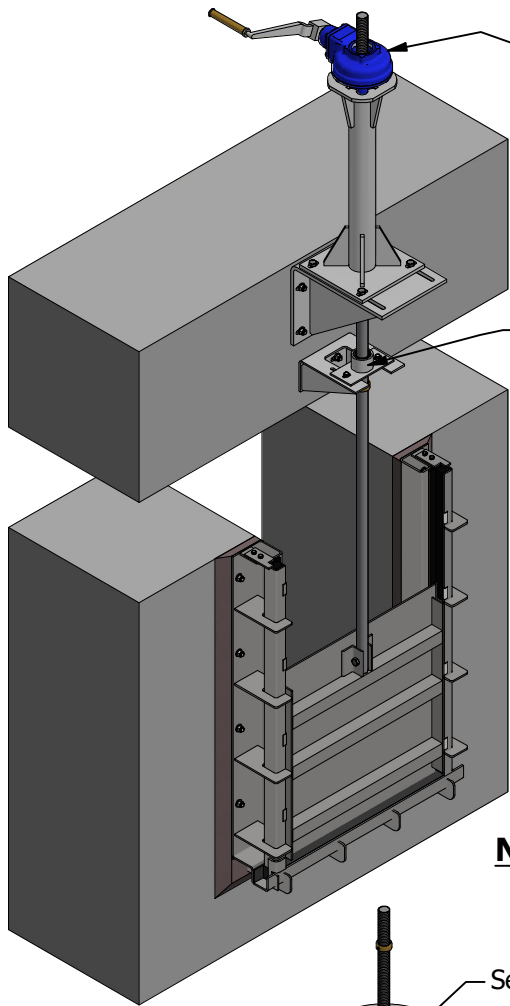
Non-shrink grout

Stainless Steel Expansion Shield

**Invert Frame**

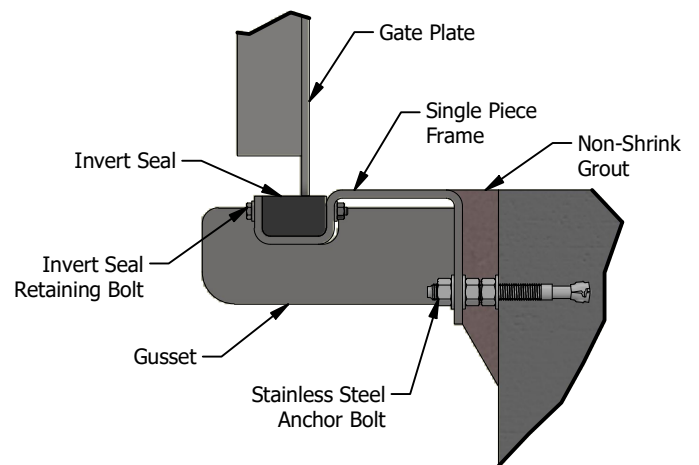
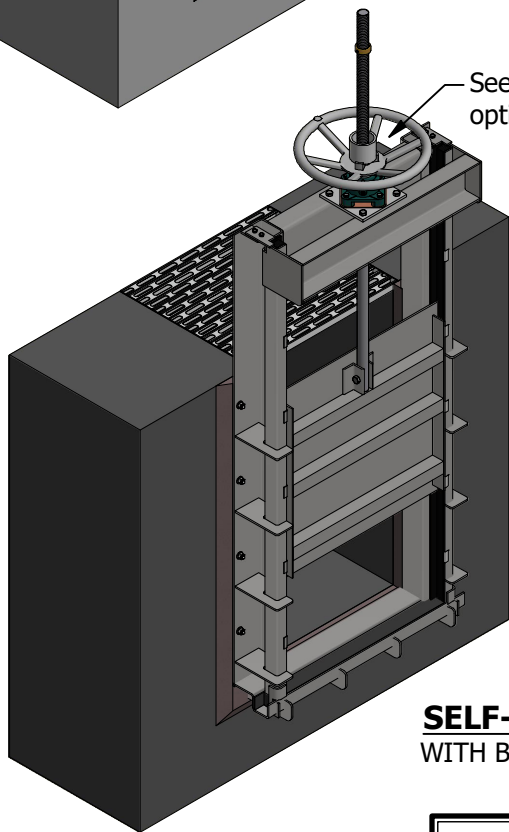
**SELF-CONTAINED GATE**  
WITH BS1015 AND HANDWHEEL

**WACO Series 7644/6 Slide Gates**



**Guide Frame**

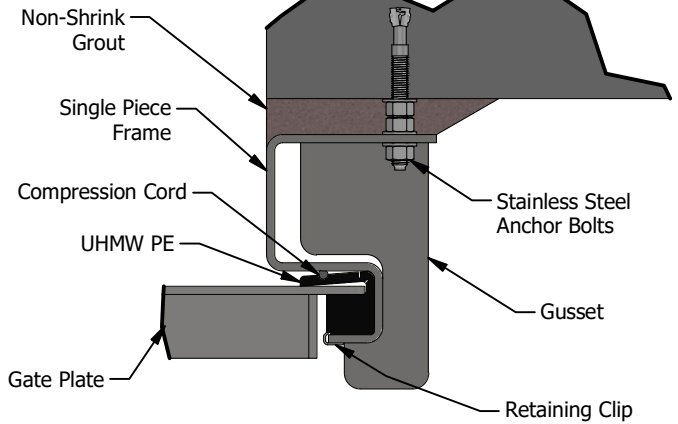
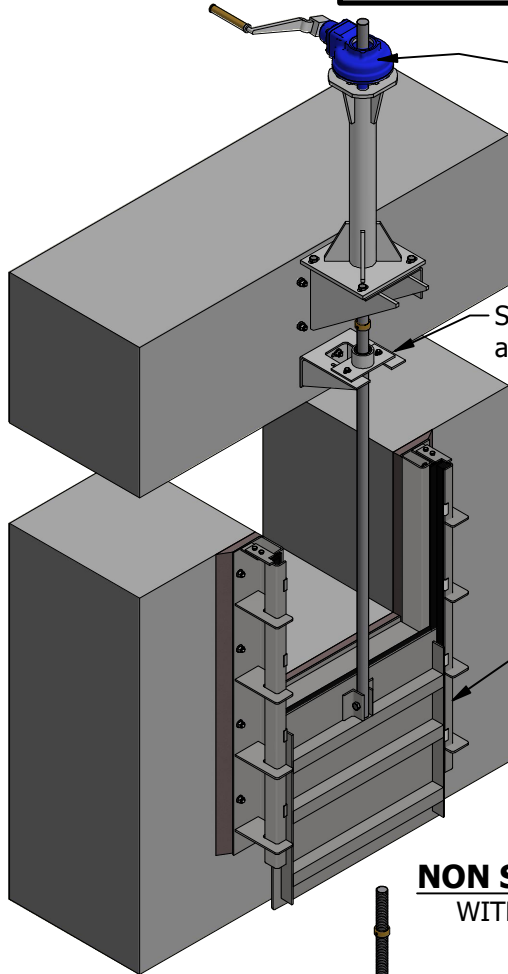
**NON SELF-CONTAINED GATE**  
WITH BS2000 AND HANDCRANK



**Invert Frame**

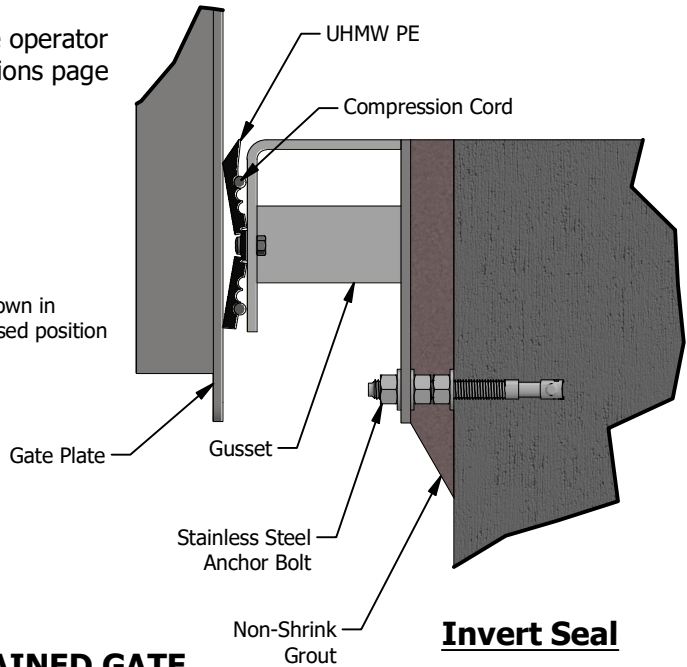
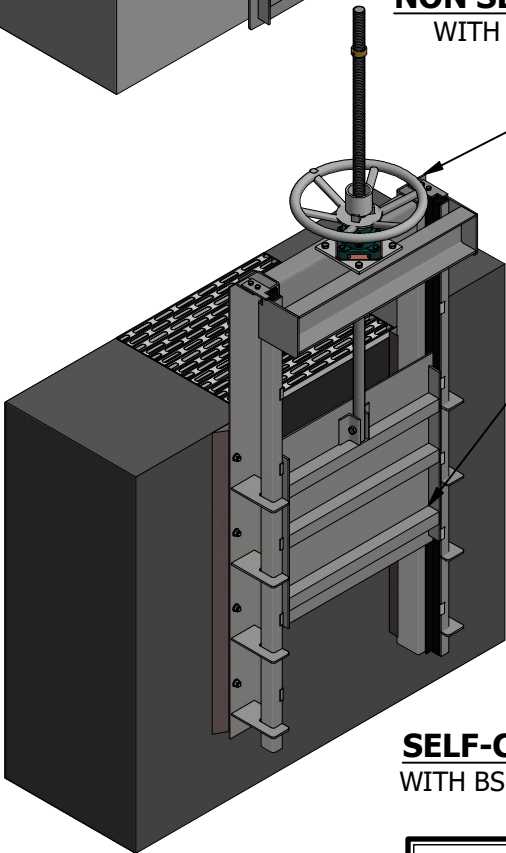
**SELF-CONTAINED GATE**  
WITH BS1015 AND HANDWHEEL

**WACO Series 7664/6 Weir Gates**



**Guide Frame**

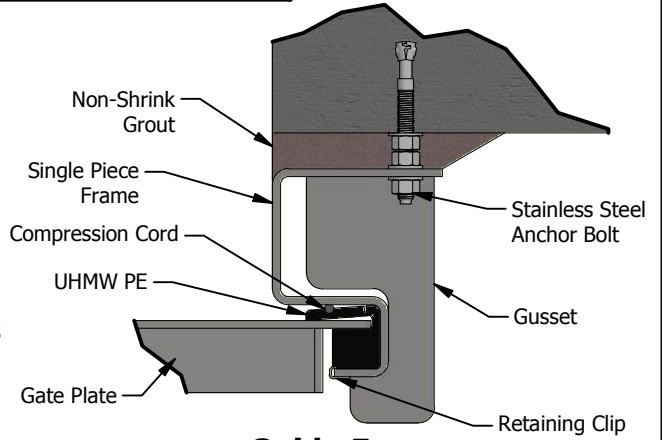
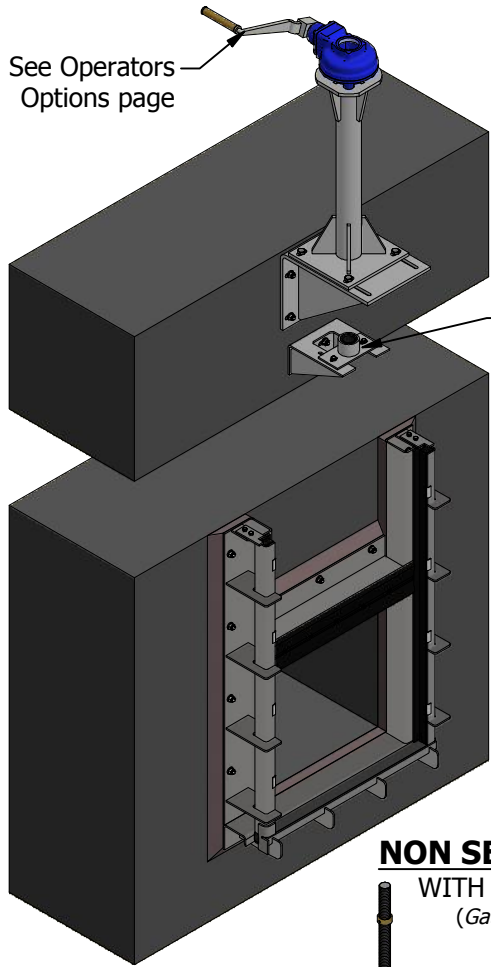
**NON SELF-CONTAINED GATE**  
WITH BS2000 AND HANDCRANK



**Invert Seal**

**SELF-CONTAINED GATE**  
WITH BS1015 AND HANDWHEEL

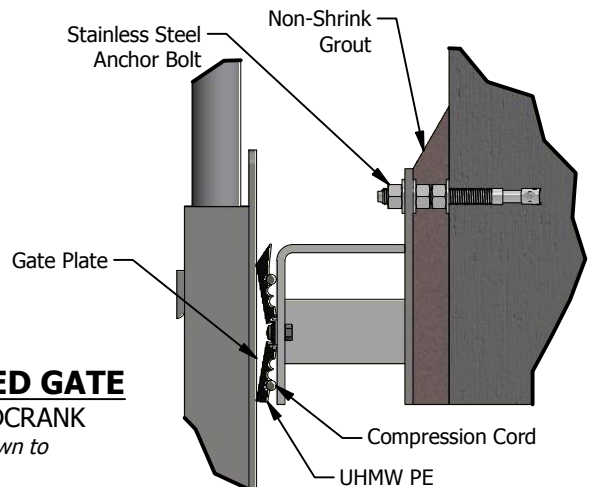
**WACO Series 7674/6 Slide Gates**



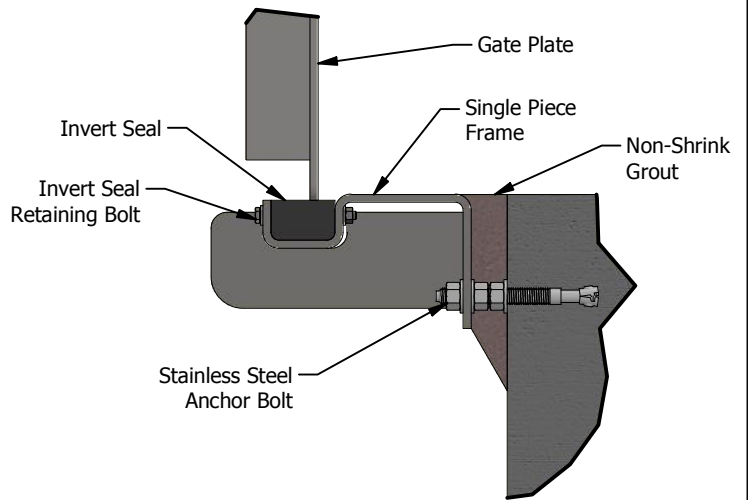
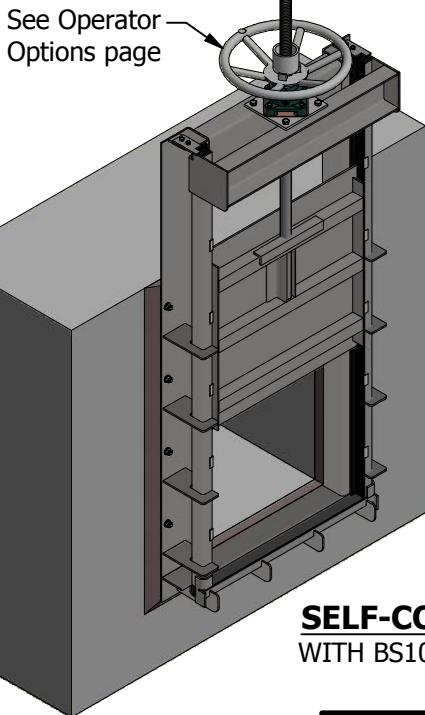
**Guide Frame**

**NON SELF-CONTAINED GATE**

WITH BS2000 AND HANDCRANK  
*(Gate plate & stem not shown to illustrate upper seal)*



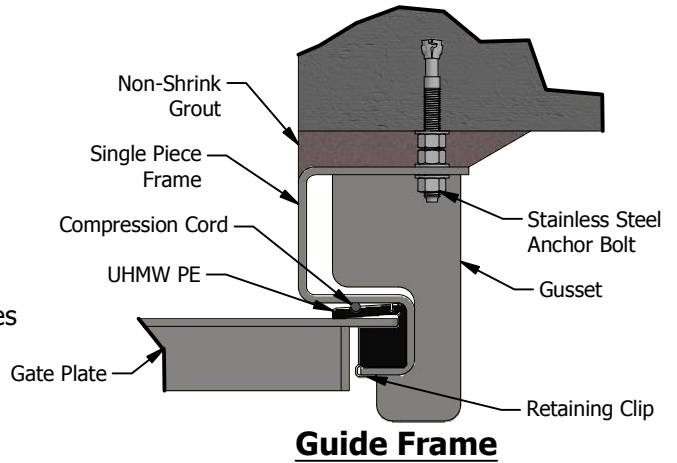
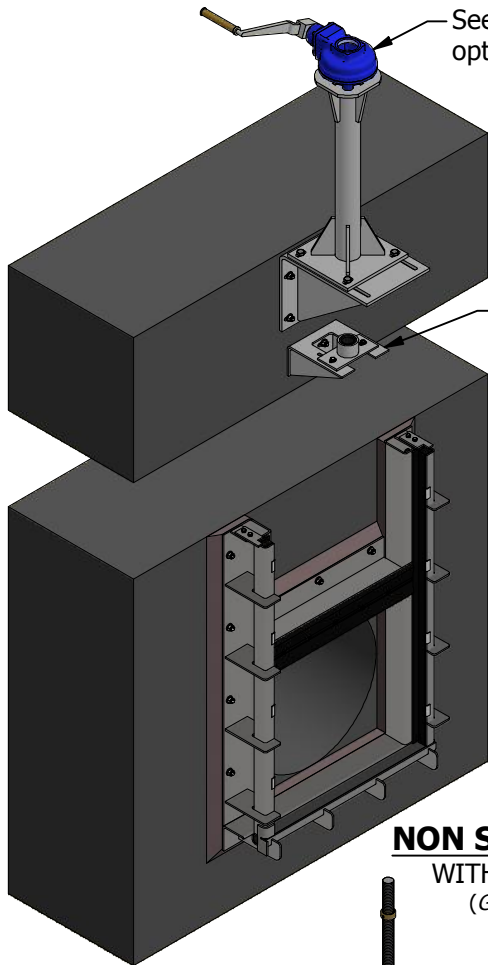
**Upper Seal Frame**



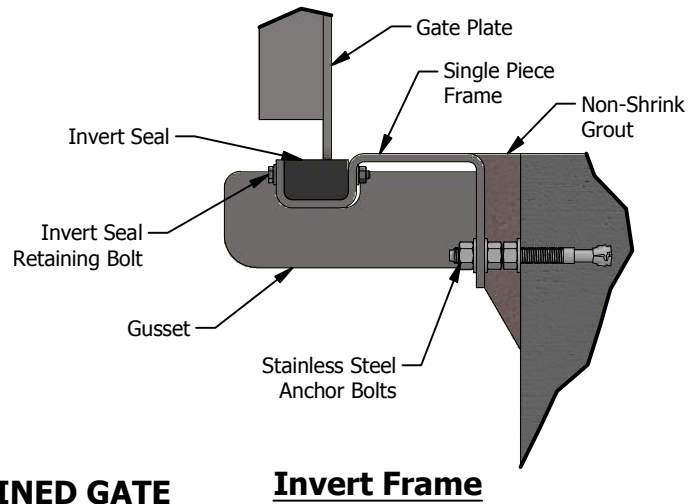
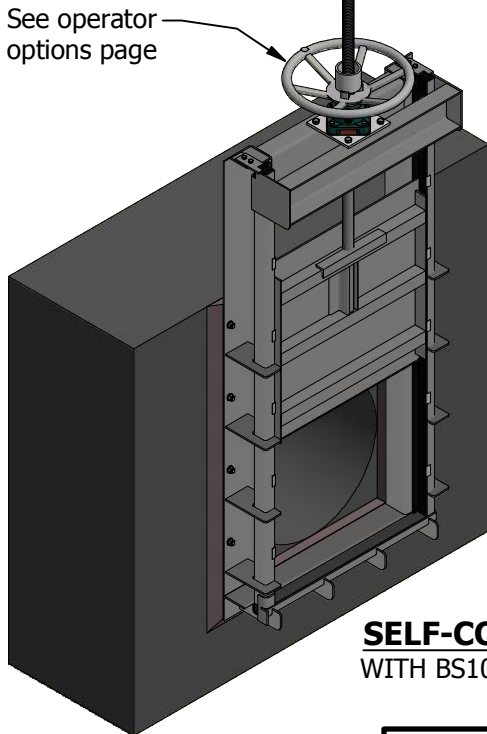
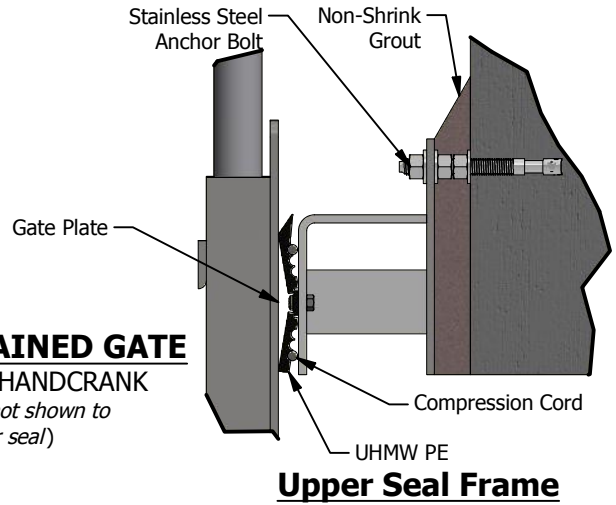
**Invert Frame**

**SELF-CONTAINED GATE**  
 WITH BS1015 AND HANDWHEEL

**WACO Series 7684/6 Slide Gates**



**NON SELF-CONTAINED GATE**  
 WITH BS2000 AND HANDCRANK  
 (Gate plate & stem not shown to illustrate upper seal)



**SELF-CONTAINED GATE**  
 WITH BS1015 AND HANDWHEEL