



QUALITY WEARS A BADGE

WACO Products, Inc.

1330 Knecht Avenue
Baltimore, Maryland 21229-5511

Phone: 410-242-1000

Fax: 410-247-4890

Email: sales@wacoproducts.com

Web: wacoproducts.com

WACO Products, Inc. located in Baltimore, Maryland, will fulfill your equipment and fabrication needs with our Environmental, Marine, and Custom Industrial capabilities. We can build to standard drawings and specifications - or custom build to suit project specific requirements - within our 65,000 square foot manufacturing facility.

WACO Products, Inc. continues a tradition of many years of designing and fabricating engineered products and systems for industry and government. Born from expertise in design and construction with structural aluminum, the tradition continues with added capability for all types of high quality custom metal fabrication in carbon steel and stainless steel. We serve a broad range of clients across the globe with our expertise in design and construction of fabricated equipment. Our equipment lines meet the needs of customers requiring products exhibiting high strength, light weight, and corrosion resistance with economical construction design and top quality.

WACO Products, Inc.

1330 Knecht Avenue
Baltimore, Maryland 21229-5511

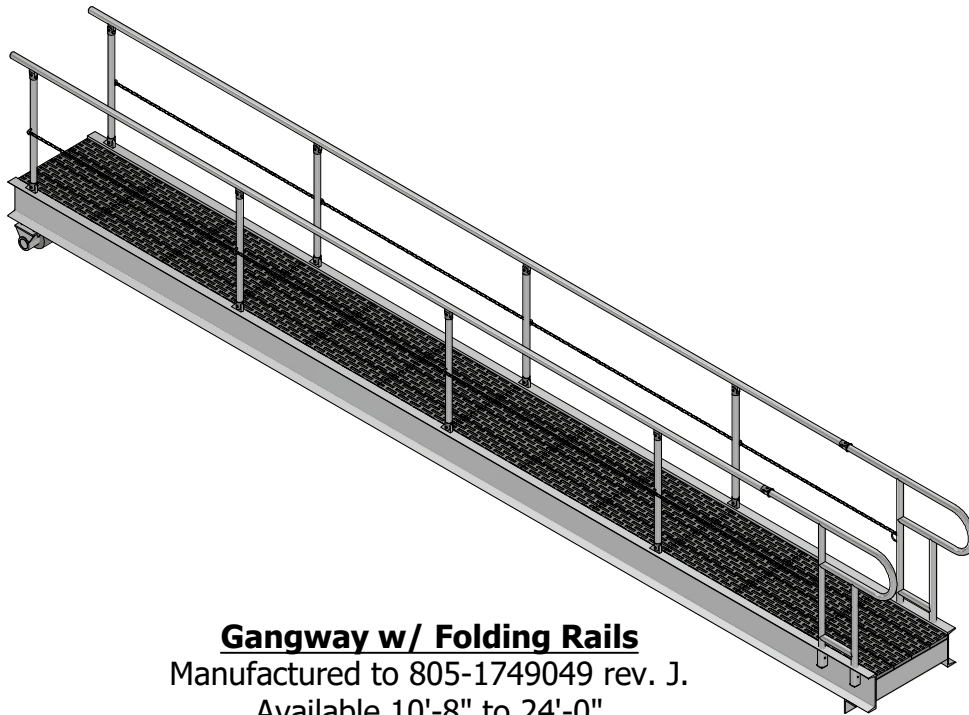
Phone: 410-242-1000

Fax: 410-247-4890

Email: sales@wacoproducts.com

Web: wacoproducts.com

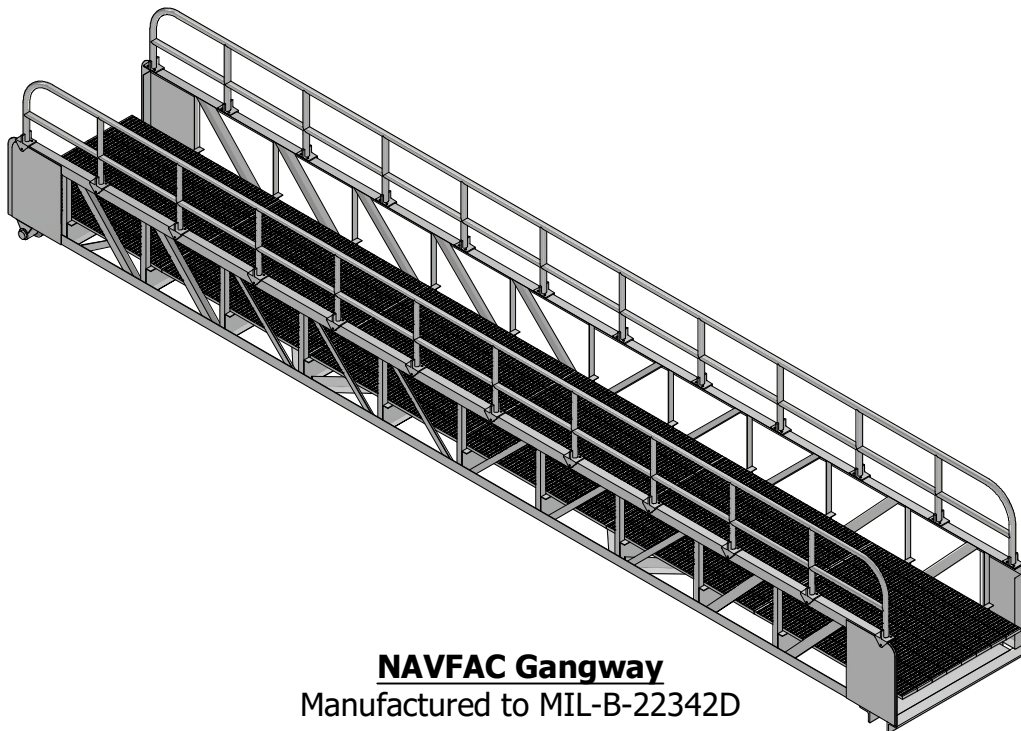
WACO Gangways



Gangway w/ Folding Rails

Manufactured to 805-1749049 rev. J.

Available 10'-8" to 24'-0"



NAVFAC Gangway

Manufactured to MIL-B-22342D

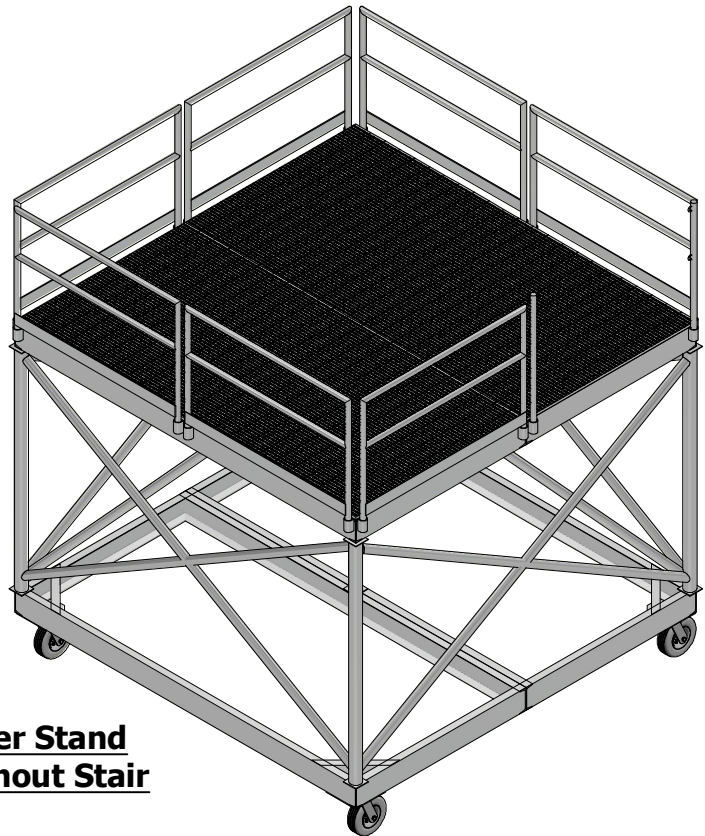
WACO Pier Stands



**Pier Stand
With Stair**

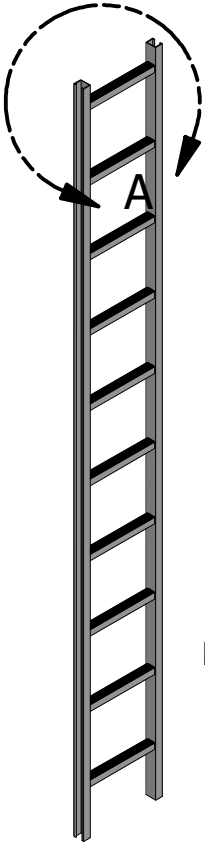
**PIER STANDS ARE MADE TO
ORDER BASED ON REQUIRED
ELEVATIONS AND TYPE OF
GANGWAY USED TO ACCESS
SHIP. CALL WACO FOR
ASSISTANCE**

PLATFORM Manufactured to
NAVFAC drawings 1404713-17
Custom Sizes Available



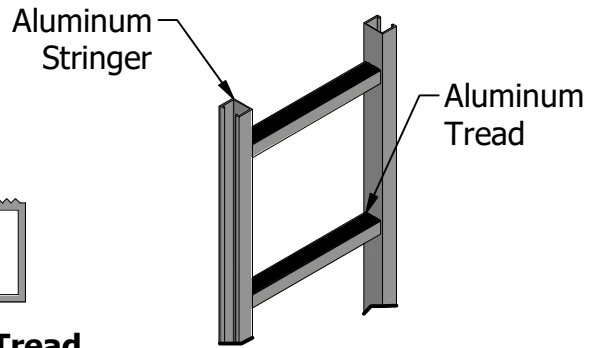
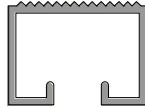
**Pier Stand
without Stair**

WACO Vertical Ladders

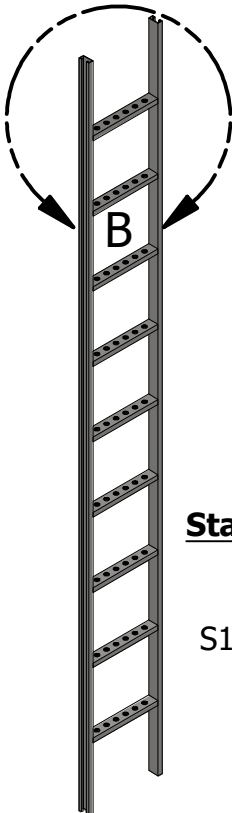


Aluminum
Manufactured to
805-1360280

Aluminum Tread

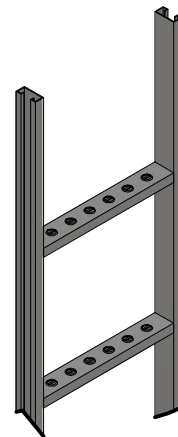
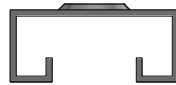


Detail A
Aluminum Ladder



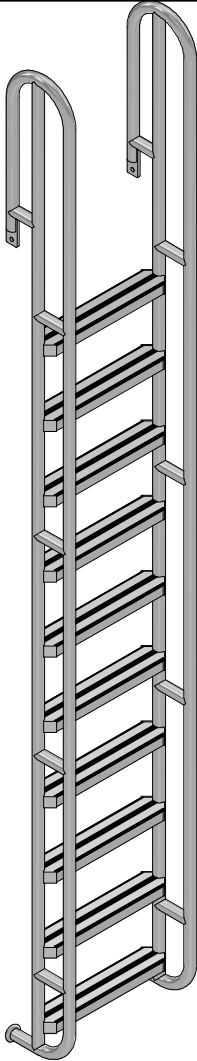
**Stainless Steel (CRES)
or Carbon Steel**
Manufactured to
S16404-860091 REV. J.

Steel or CRES
Tread

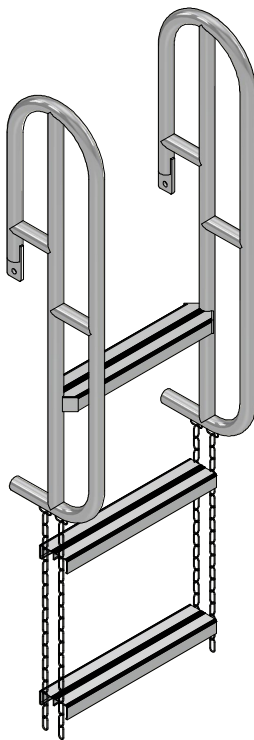


Detail B
Steel or Stainless Steel Ladder

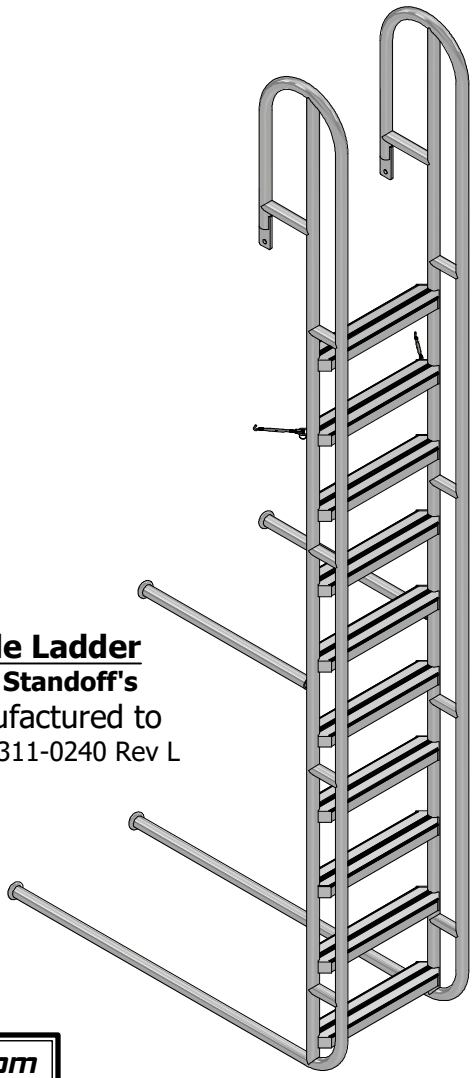
WACO Side Ladders



Side Ladder
Manufactured to
805-1363174B



**Side Ladder
Jacob's Ladder
Configuration**
Manufactured to
805-1363660B



**Side Ladder
w/ Standoff's**
Manufactured to
8100-1311-0240 Rev L

WACO Treads

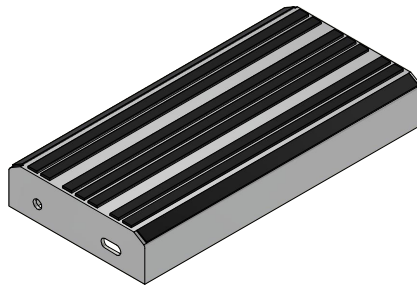
Incline Ladder Treads



TYPE II Cap Tread 6in

Manufactured to MIL-T-24634

CRES OR STEEL BASE IS OPTIONAL



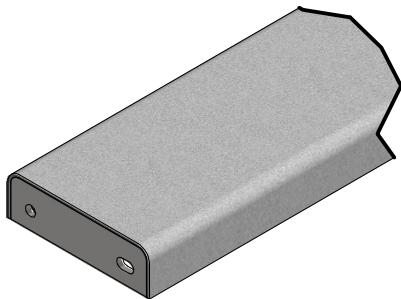
TYPE I Full Tread 6in

Manufactured to MIL-T-24634



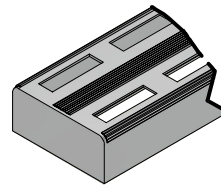
TYPE D Tread 6in

Manufactured to
804-860041 Type D



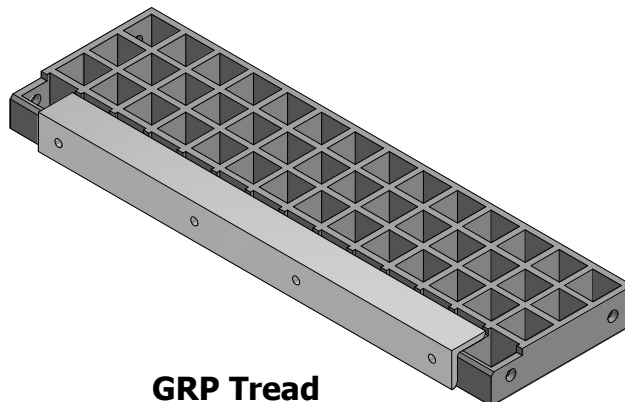
TYPE G Tread 6in

Fiberglass Coated
Manufactured to
804-860041 Type G



**TYPE F Tread 4in, 6in
& 9in. avail W/ or
W/O Mounting Holes**

Manufactured to
804-860041 D-D



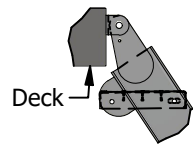
GRP Tread

Manufactured to
803-5184099A

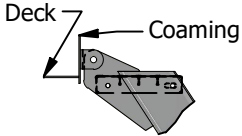
WACO Inclined Ladder

Manufactured to
804-1749113
Also avail in CRES,
STEEL, & GRP

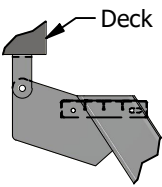
Information Required



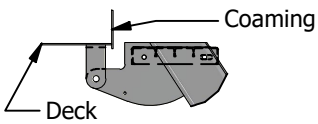
Type 1 Connection



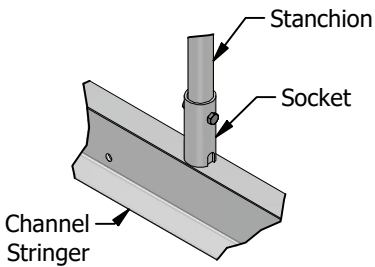
Type 2 Connection



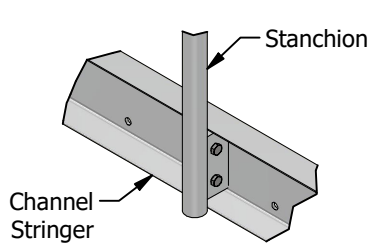
Type 3 Connection



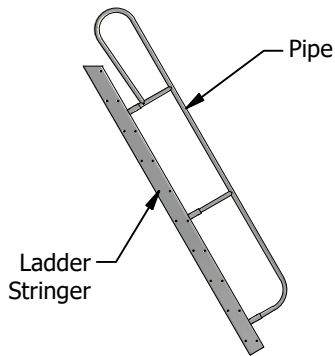
Type 4 Connection



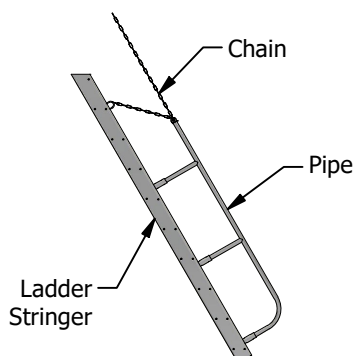
Standard Handrail Connection



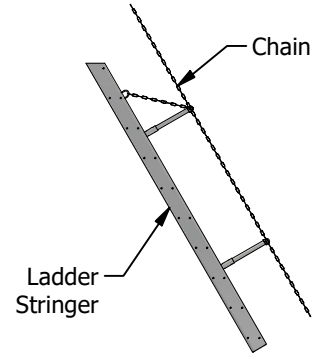
Side Mounted Handrail Connection



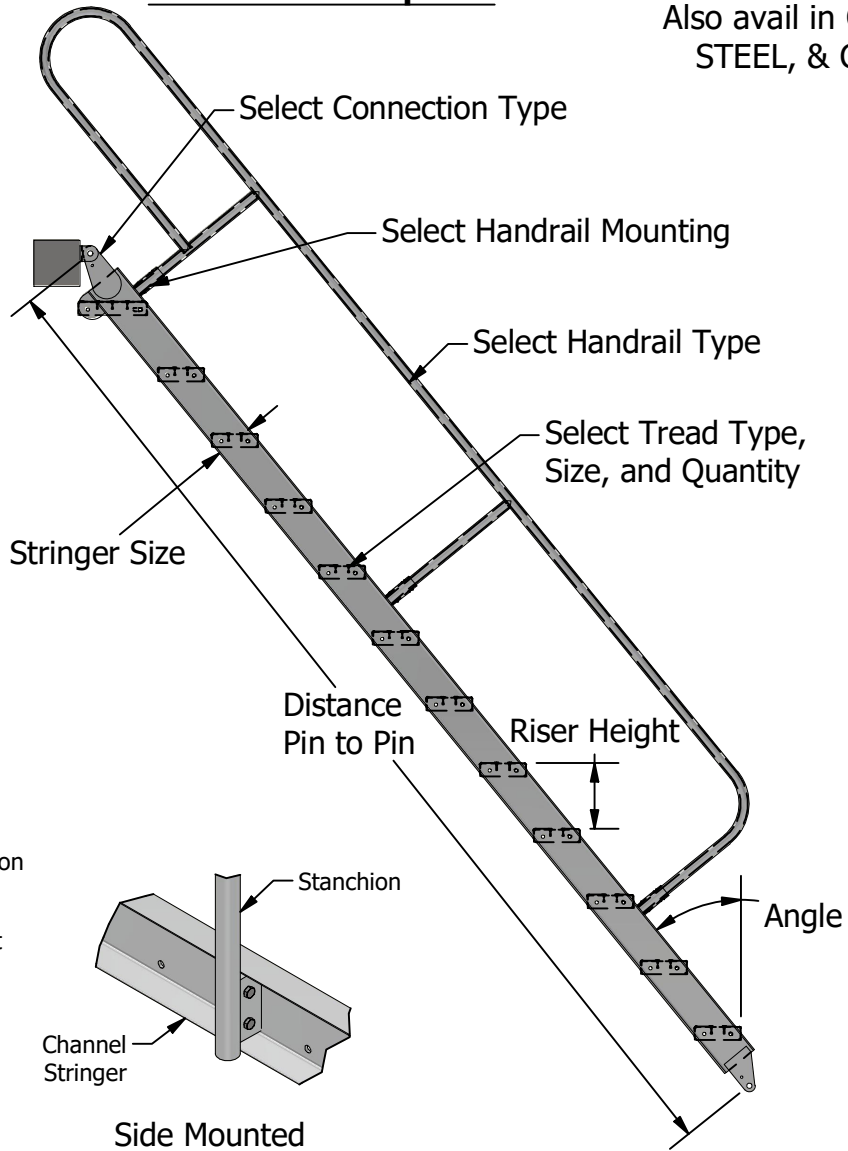
Type X Handrail



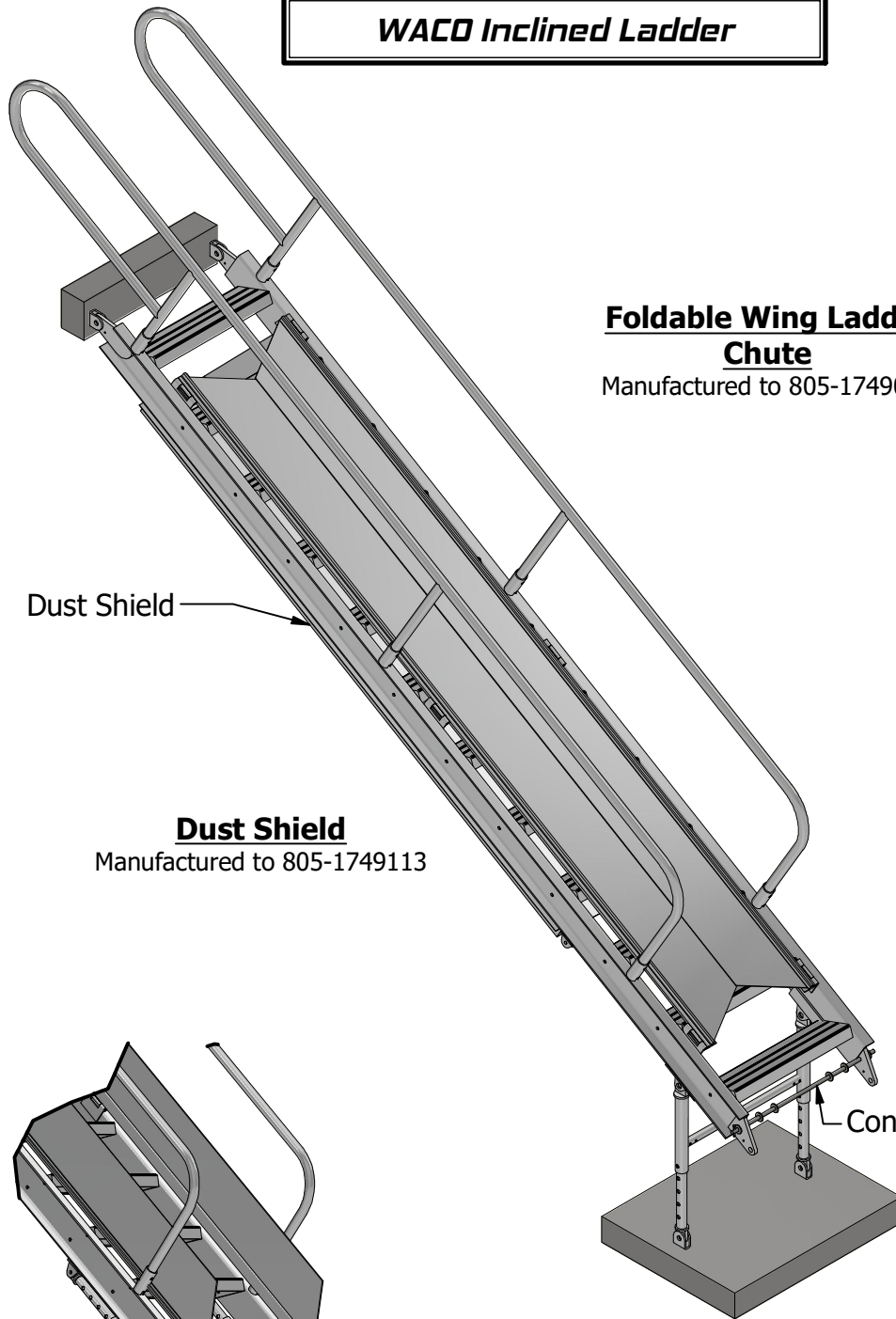
Type Y Handrail



Type Z Handrail



WACO Inclined Ladder



**Foldable Wing Ladder
Chute**

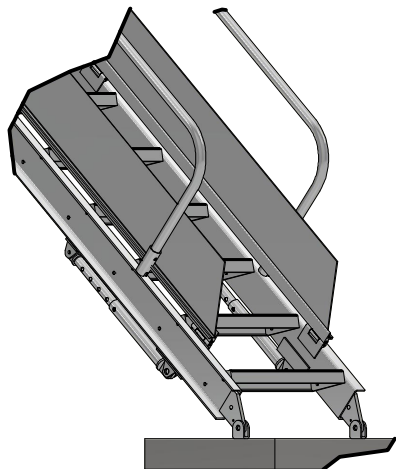
Manufactured to 805-1749080

Dust Shield

Dust Shield

Manufactured to 805-1749113

Conveyor Bar Attachment

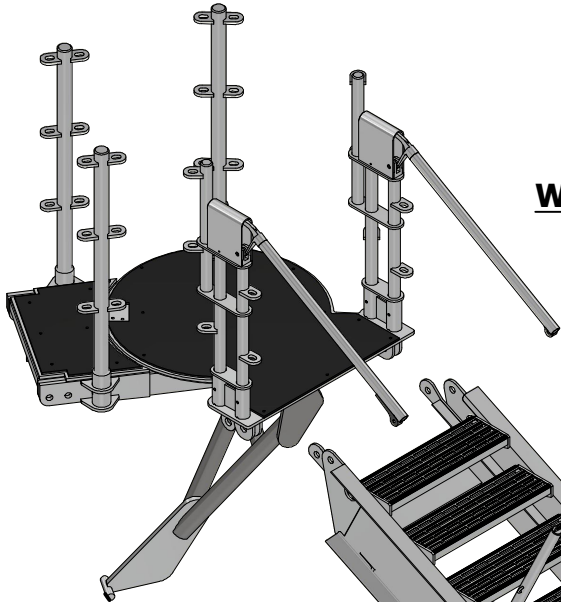


**Foldable Wing Ladder
Chute Stowed**

**Foldable Adjustable Legs
For use With Ladder Chute**

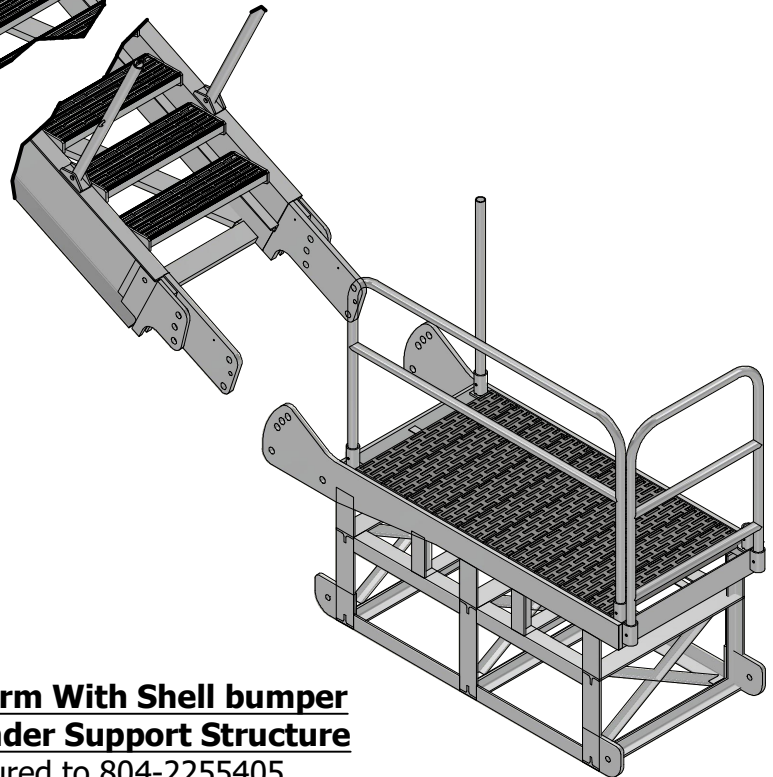
Manufactured to 805-1749080

WACO Accom. Ladders



**24 and 30 in Upper Rotating
Platform Feathering Tread
With Handrail Stanchions and Yoke**
Manufactured to 804-2255404

Manufactured to 804-2255402



**Lower Platform With Shell bumper
and Boat Fender Support Structure**
Manufactured to 804-2255405

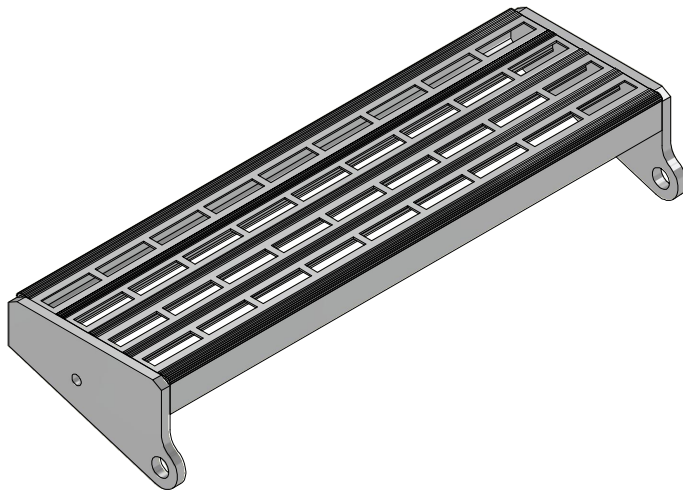
www.wacoproducts.com

WACO Treads

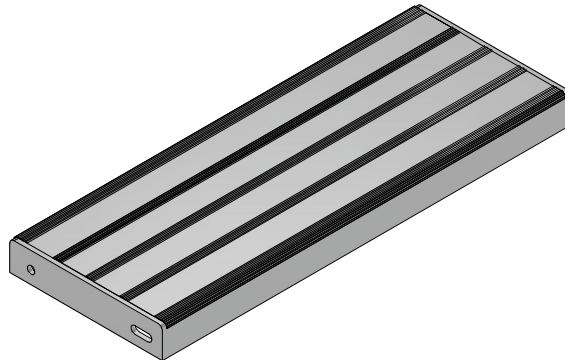
Accom. Treads



Fixed Curved Tread
W/ Abrasive Surface



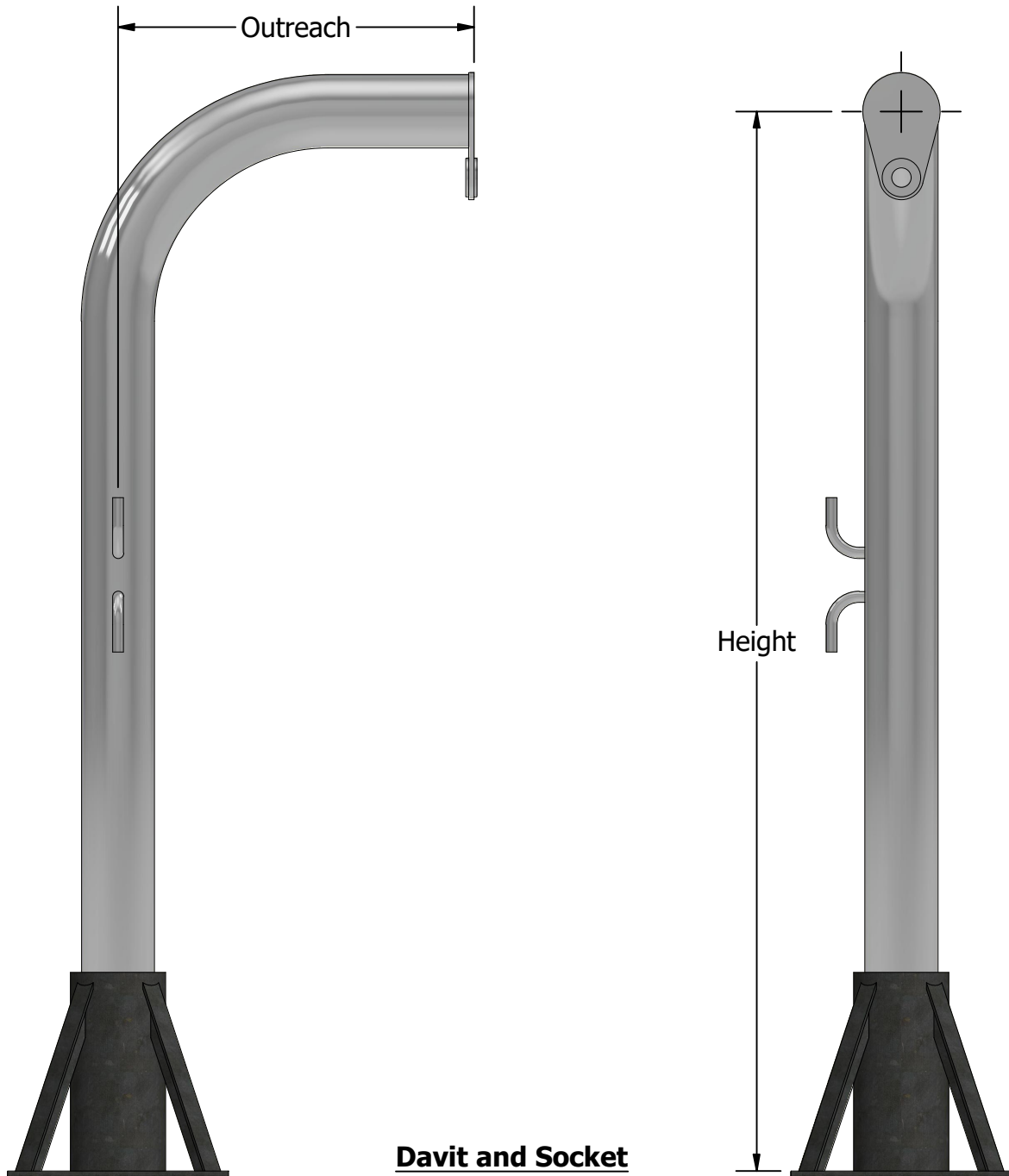
Feathering Tread
Manufacture to 804-2255402 D



Fixed Type F Tread
Manufactured to 804-860041 D-D

www.wacoproducts.com

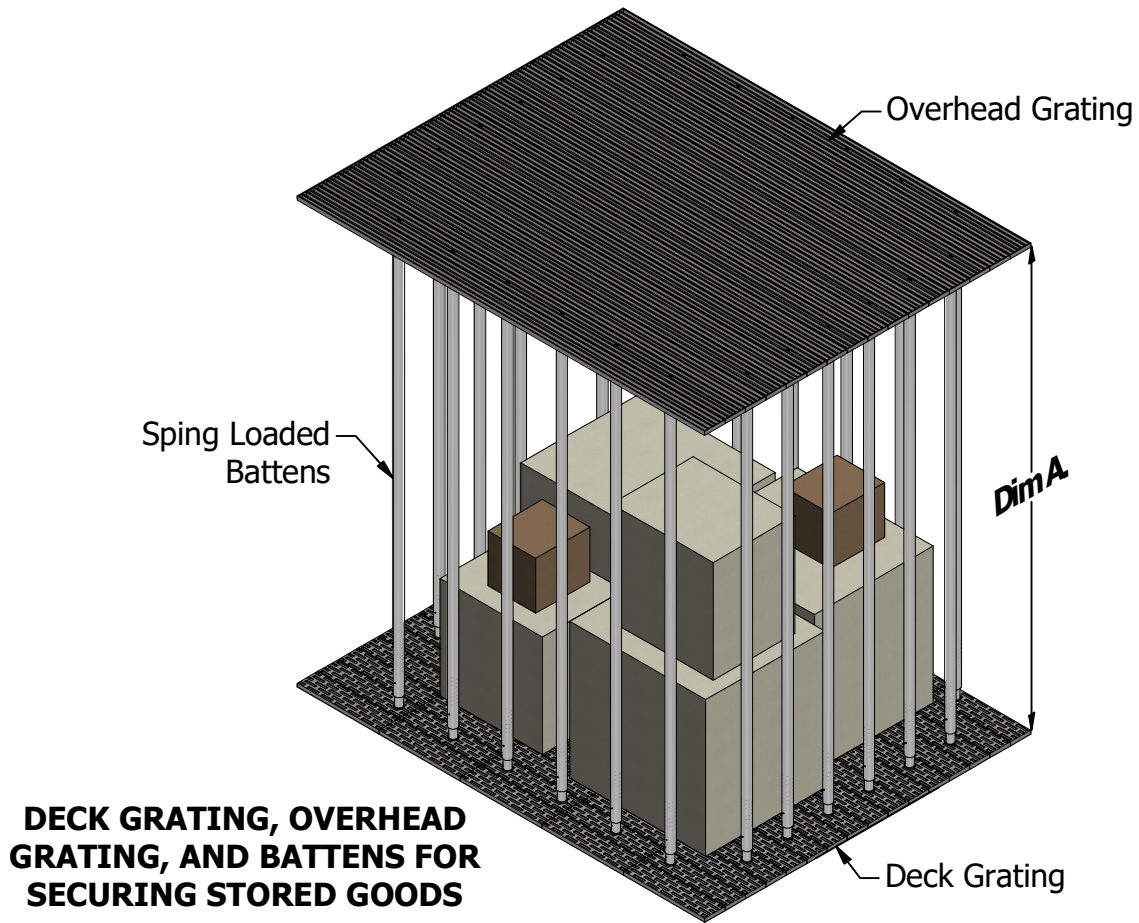
WACO Davits and Sockets



Davit and Socket

Manufactured to Bureau of Ships drawing 803-1645271 Rev E.
Available in Aluminum and Steel

WACO Battens and Grating



Spring Loaded Battens



Adjustable Batten

Manufactured to 804-2425891



Fixed Batten

Manufactured to 805-1749068