



**QUALITY WEARS A BADGE**

**WACO Products, Inc.**

1330 Knecht Avenue  
Baltimore, Maryland 21229-5511

Phone: 410-242-1000

Fax: 410-247-4890

Email: [sales@wacoproducts.com](mailto:sales@wacoproducts.com)

Web: [wacoproducts.com](http://wacoproducts.com)

**WACO Products, Inc.** located in Baltimore, Maryland, will fulfill your equipment and fabrication needs with our Environmental, Marine, and Custom Industrial capabilities. We can build to standard drawings and specifications - or custom build to suit project specific requirements - within our 65,000 square foot manufacturing facility.

**WACO Products, Inc.** continues a tradition of many years of designing and fabricating engineered products and systems for industry and government. Born from expertise in design and construction with structural aluminum, the tradition continues with added capability for all types of high quality custom metal fabrication in carbon steel and stainless steel. We serve a broad range of clients across the globe with our expertise in design and construction of fabricated equipment. Our equipment lines meet the needs of customers requiring products exhibiting high strength, light weight, and corrosion resistance with economical construction design and top quality.

**WACO Products, Inc.**

1330 Knecht Avenue  
Baltimore, Maryland 21229-5511

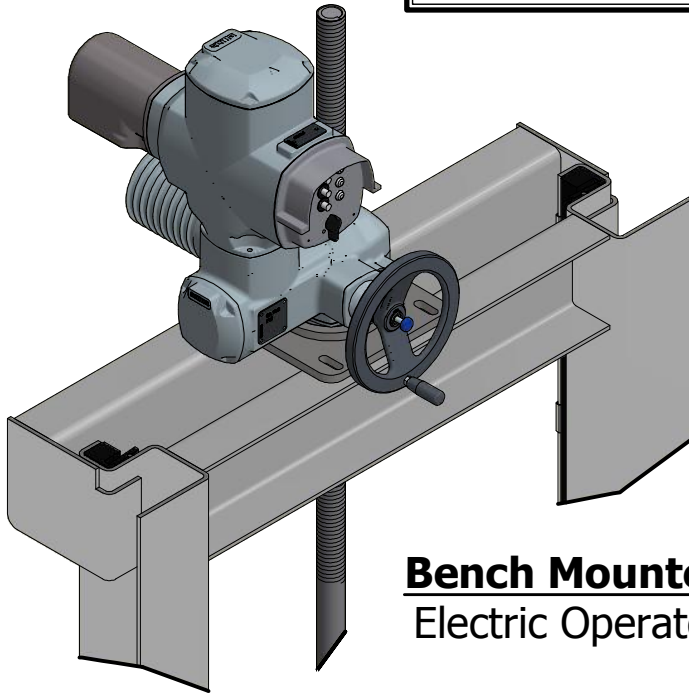
Phone: 410-242-1000

Fax: 410-247-4890

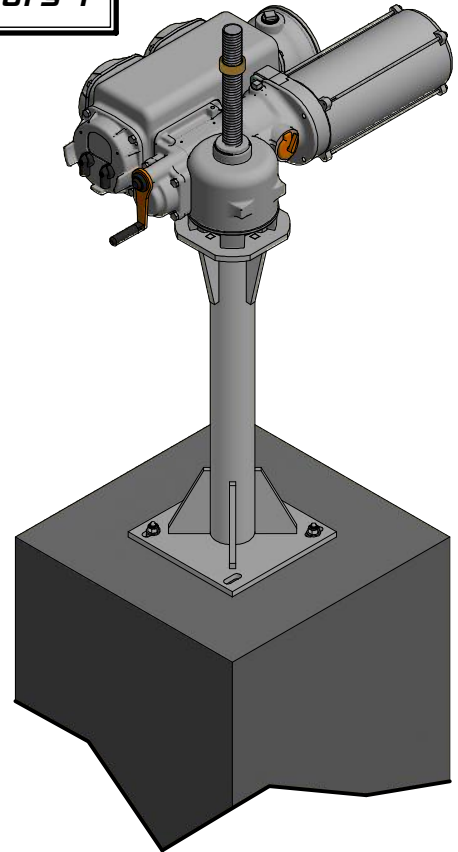
Email: [sales@wacoproducts.com](mailto:sales@wacoproducts.com)

Web: [wacoproducts.com](http://wacoproducts.com)

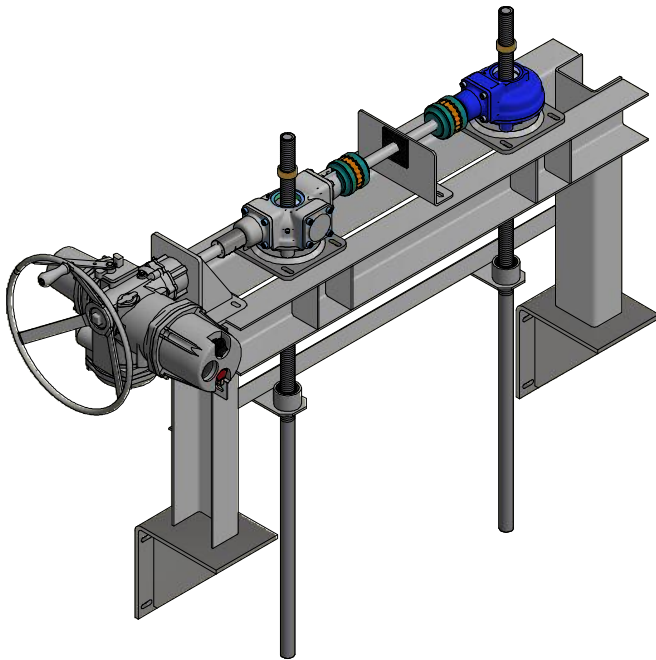
**WACO Electric Operators-1**



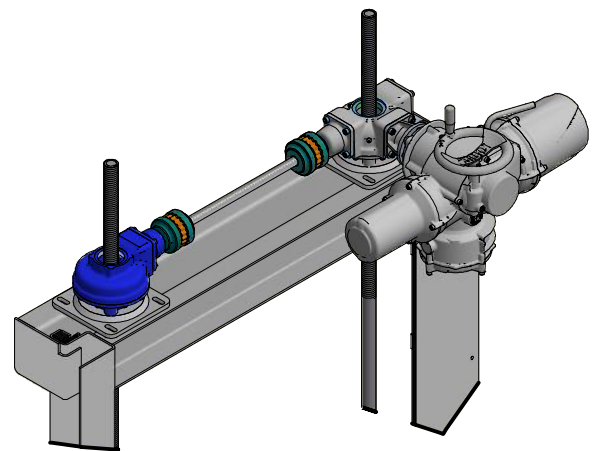
**Bench Mounted**  
Electric Operator



**Pedestal Mounted**  
Electric Operator

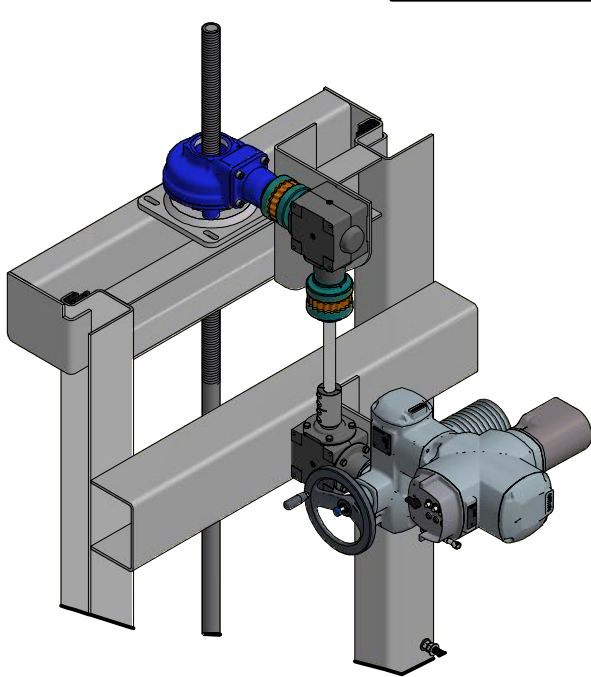


**BS-2180E Dual Stem Operator**  
NSC Bench Mounting

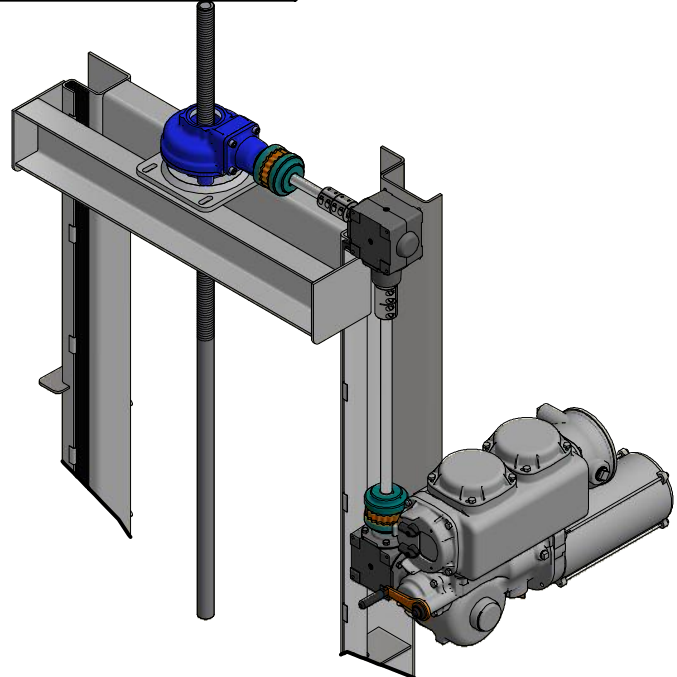


**BS-2090E Dual Stem Operator**  
SC Bench Mounting

**WACO Electric Operators-2**



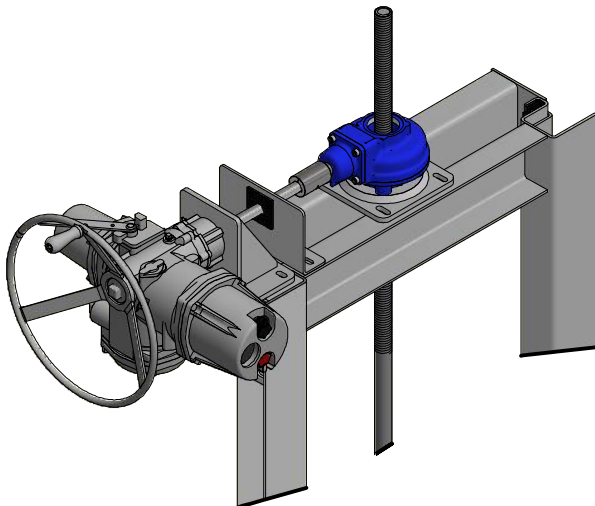
**BS2000E OBSF**



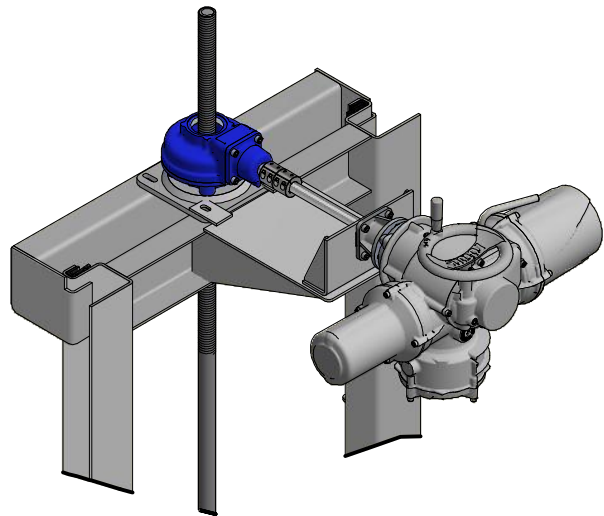
**BS2000E OBSS**

**Offset Operators are used to bring controls and manual crank or wheel heights to manageable elevations**

**NOTE: Offset operators also available for electric actuators and dual stem gates**



**BS-2000E EXS**

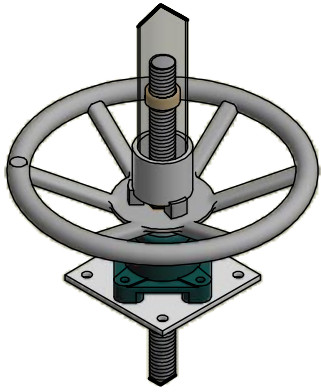


**BS2000E EXF**

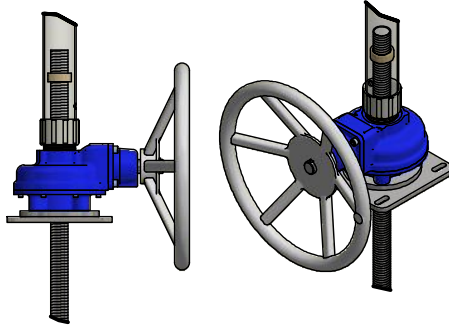
**Extended Shaft operators are used to bring controls and manual crank or wheel to an accessible point or to clear structural obstacles**

**NOTE: Extended shafts available for all operator types**

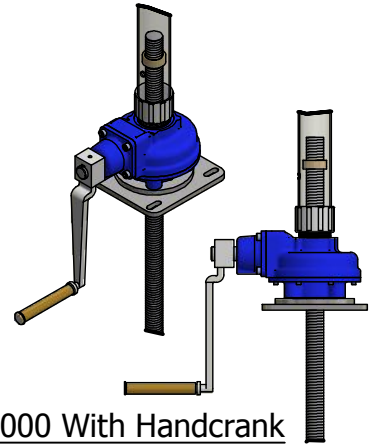
**WACO Manual Operators-1**



BS1015



BS2000 With Handwheel



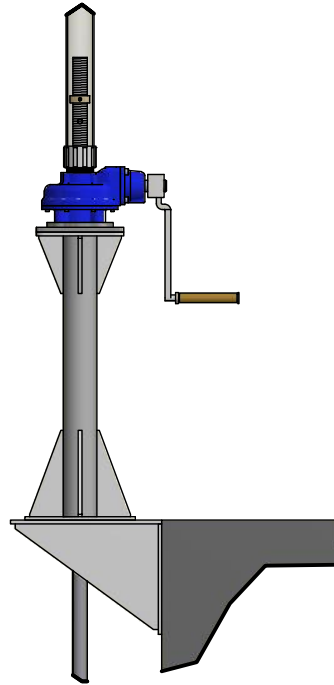
BS2000 With Handcrank



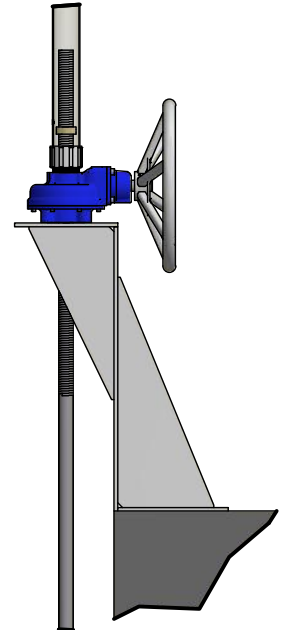
Stem Cover  
(shown with BS1015)



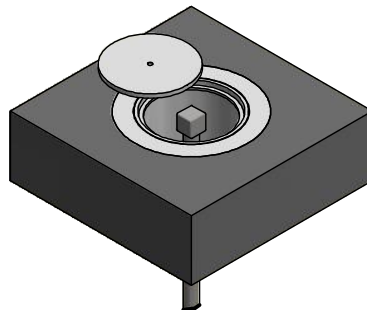
Standard Pipe Pedestal  
(with BS1015)



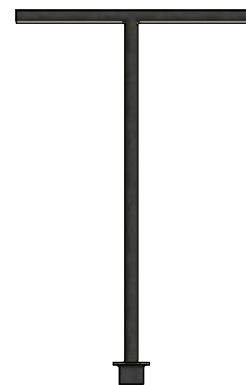
Wall Bracket  
(with pipe pedestal and  
BS2000 Handcrank)



Offset Pedestal  
(with BS2000 Handwheel)

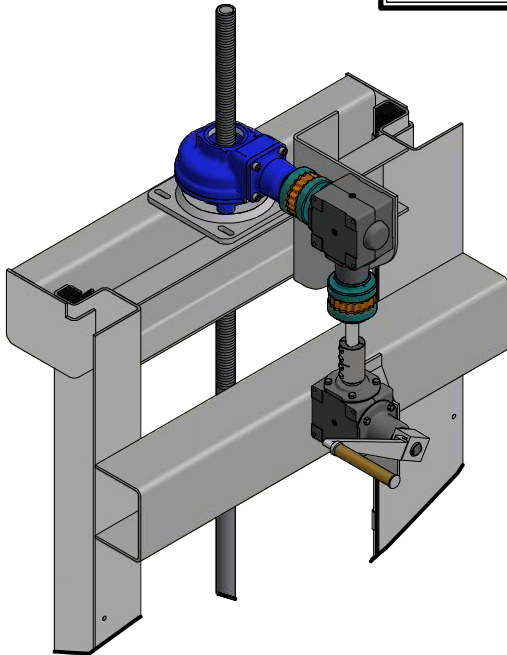


AWWA Nut Floor Box  
(for non-rising stem)

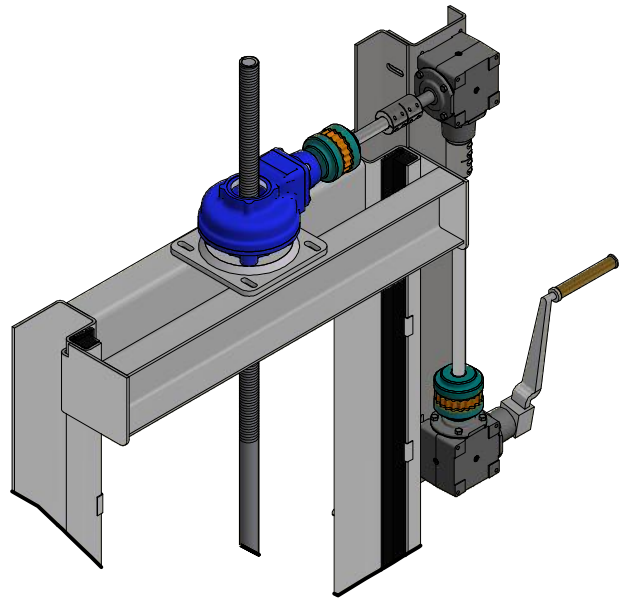


T - Wrench  
(for AWWA nut operator)

**WACO Manual Operators-2**



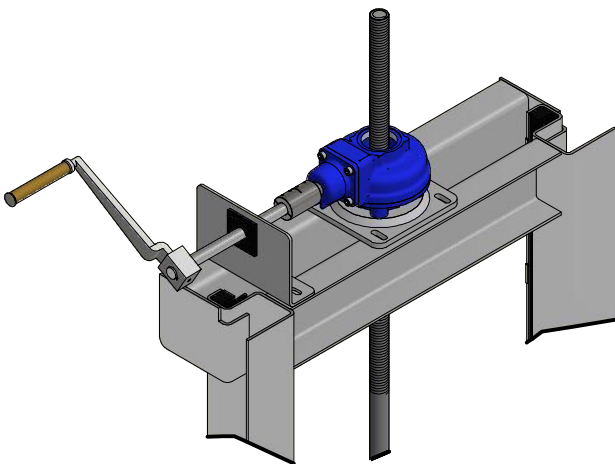
**BS2000 OBSF**



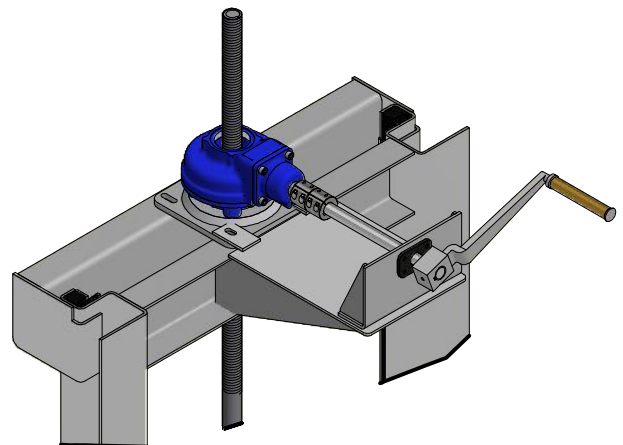
**BS2000 OBSS**

**Offset Operators are used to bring operating crank or wheel heights to manageable elevations**

**NOTE: Offset operators also available for electric actuators and dual stem gates**



**BS2000 EXS**

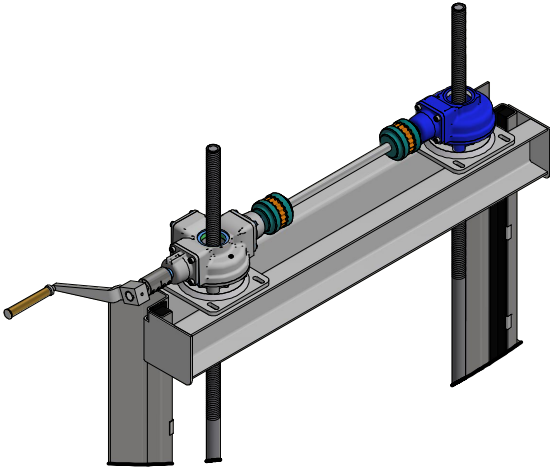


**BS2000 EXF**

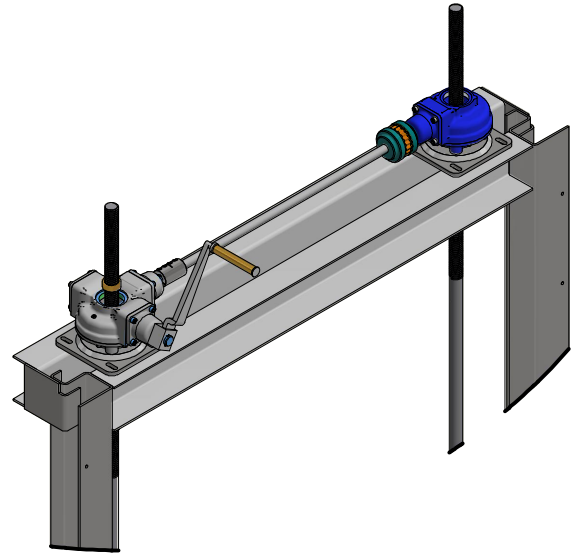
**Extended Shaft operators are used to bring operating crank or wheel to an accessible point or to clear structure obstacles**

**NOTE: Extended shafts available for all operator types**

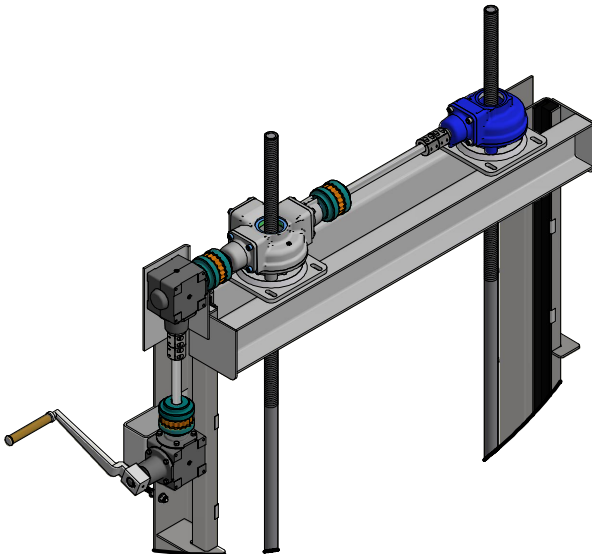
**WACO Manual Operators-3**



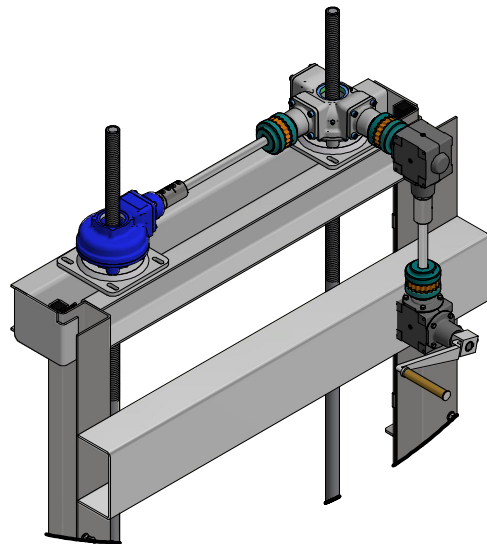
**BS-2180 Dual Stem Operators**



**BS-2090 Dual Stem Operators**



**BS-2180 OBSS**

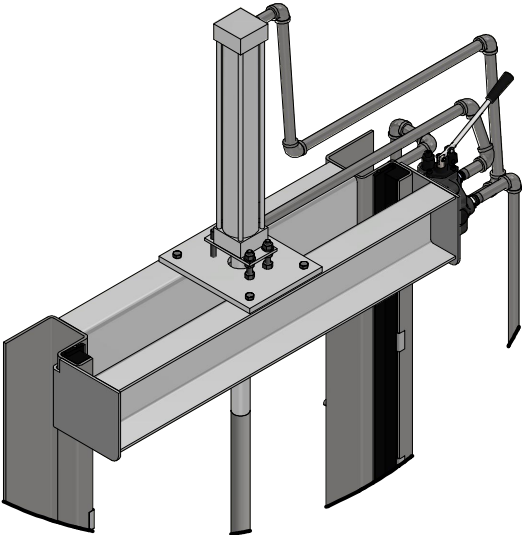


**BS-2180 OBSF**

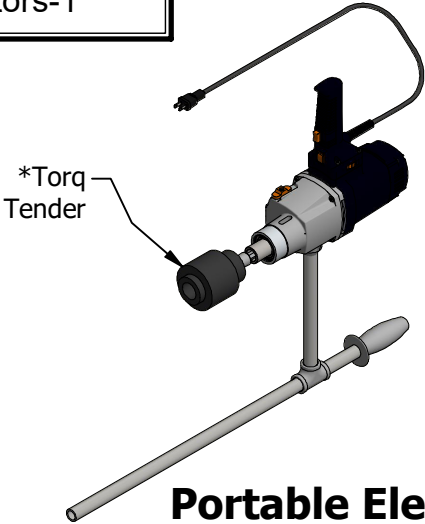
**Offset Operators are used to bring operating crank or wheel heights to manageable elevations**

**NOTE: Offset operators also available for electric actuators**

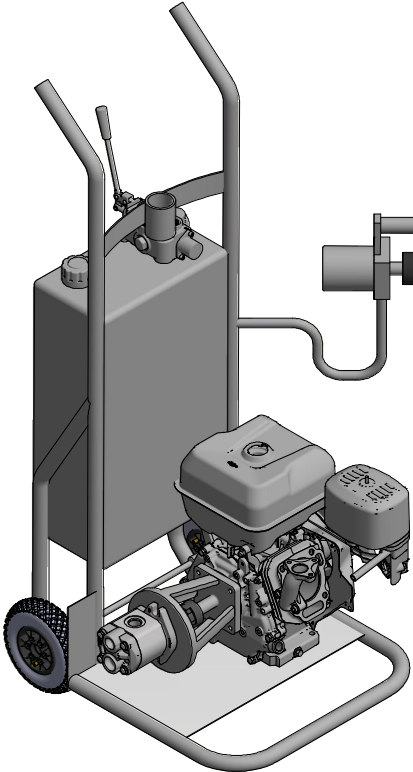
WACO Power Operators-1



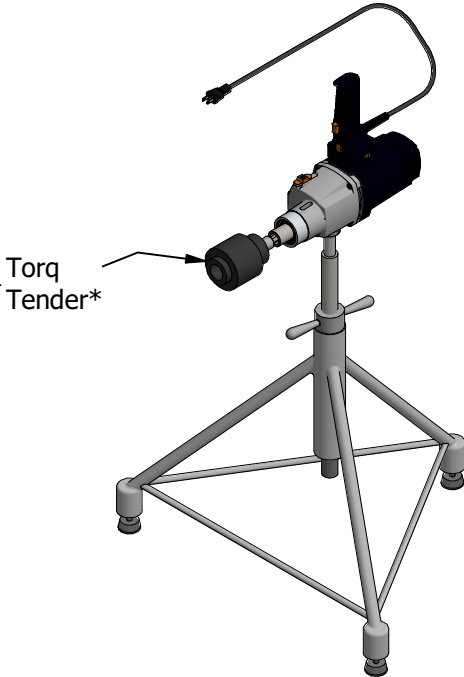
**Hydraulic/Pneumatic**  
Bench Operator  
(also available for pedestal mounting)



**Portable Electric**  
**Drill Operator (PEDO)**  
(with anti-rotation bar)



**Portable Hydraulic Operator**  
(PGHO)

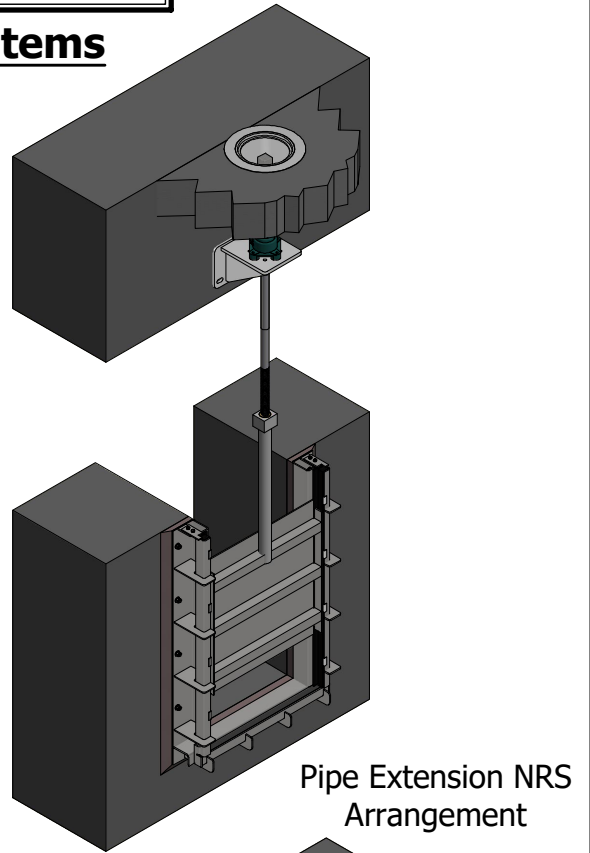
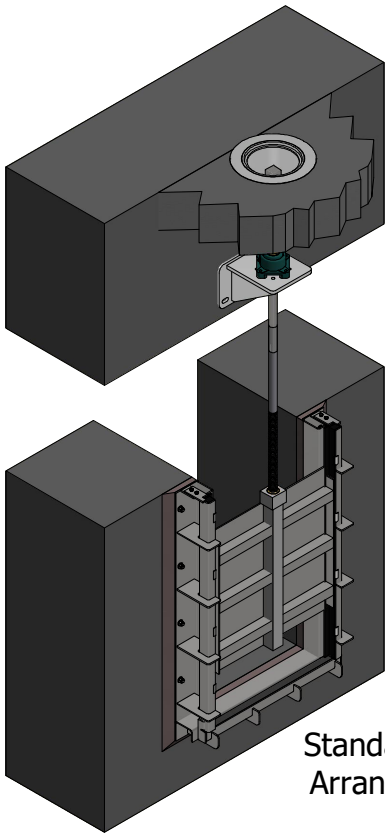


**Portable Electric**  
**Drill Operator (PEDOT)**  
(with tripod)

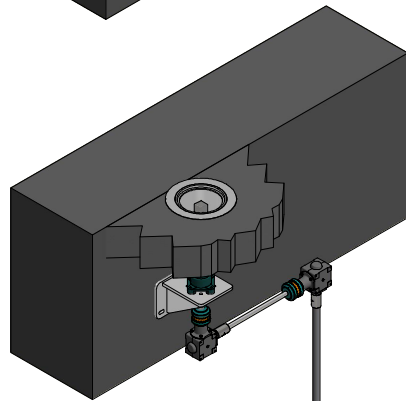
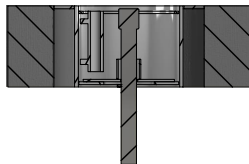
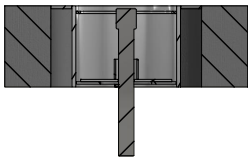
\* Prevents over-torque  
on Gate and for  
personnel protection

WACO Special Operators-1

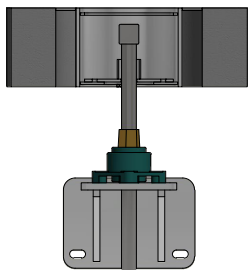
**Non-Rising Stems**



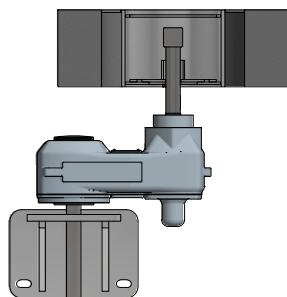
**Floor Boxes**



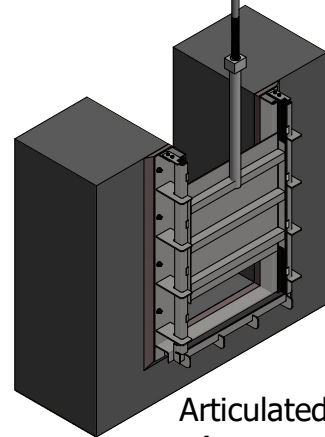
**NRS Operators**



**BS-1015**  
**Direct Drive**



**BS-2000**  
**Spur Gear Reduction Drive**



**Articulated NRS**  
**Arrangement**